

# Process technology

Manual clamping system

THE KNOW-HOW FACTORY

**THE KNOW-HOW FACTORY**

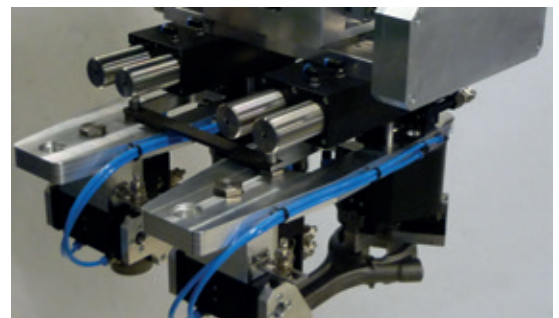
# ZIMMER GROUP COMMITTED TO OUR CUSTOMERS

**WE HAVE SUCCEEDED FOR YEARS BY OFFERING OUR CUSTOMERS INNOVATIVE AND INDIVIDUALIZED SOLUTIONS. ZIMMER HAS GROWN CONTINUOUSLY AND TODAY WE REACHED A NEW MILESTONE: THE ESTABLISHMENT OF THE KNOW-HOW FACTORY. IS THERE A SECRET TO OUR SUCCESS?**

**Foundation.** Excellent products and services have always been the foundation of our company's growth. Zimmer is a source of advanced solutions and important technical innovations. This is why customers with high expectations for technology frequently find their way to us. When things get tricky, Zimmer Group is in its best form.

**Style.** We take an interdisciplinary approach to everything we do. We represent sophisticated process solutions in six areas of technology, in both development and production. Zimmer Group serves all industries and provides solutions for every individual customer problem. Worldwide.

**Motivation.** Customer orientation is perhaps the most important factor of our success. We are a service provider in the truest sense. With Zimmer Group, our customers have a single, centralized contact for all of their requirements. We approach each customer's situation with a high level of competence and a broad range of possible solutions from one source.



# ZIMMER GROUP

## QUICK CLAMPING SYSTEM

### SHORTENED CHANGEOVER PROCESS

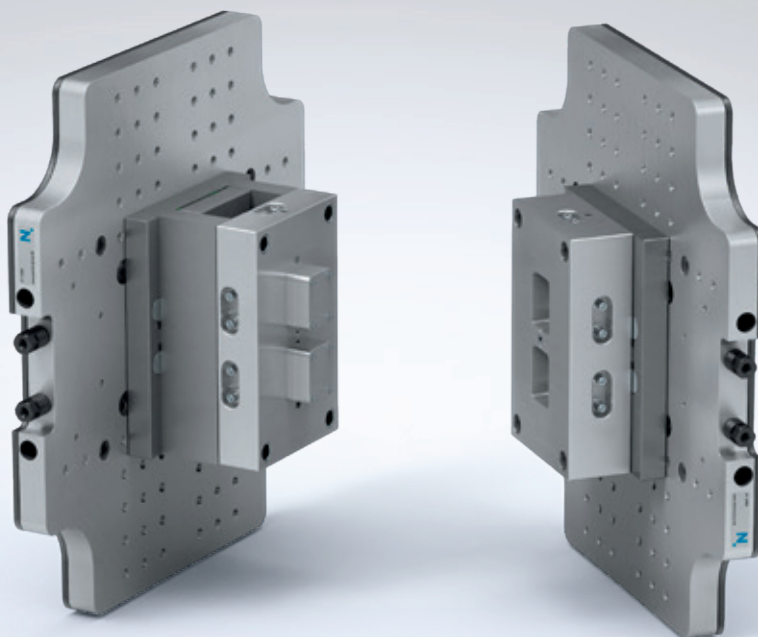
In modern production processes, factors such as efficiency and flexibility play an increasingly important role. For injection moulding companies, this demand for flexibility means there is a constant challenge posed by increasingly smaller lot sizes, the desire to achieve lower inventories and just-in-time

deliveries. An essential factor in such flexible production processes is minimizing machine set-up costs and thereby saving significant amounts of time in the changeover process to ensure even greater productivity – and thus added value – in a secured process.

### YOUR BENEFITS

- ▶ Short machine downtimes thanks to a significantly shortened changeover process
- ▶ Time savings of approx. 15-25 minutes compared to conventional clamping
- ▶ Changeover process carried out by a single person, even for large moulds
- ▶ A more cost-effective solution in comparison to the competition
- ▶ No maintenance costs
- ▶ Complete machine plate can be utilized
- ▶ No thermal insulation panels or centering rings on the mould are required
- ▶ High precision during mould exchange provides advantages for automated handling tasks
- ▶ Low height of the changing device of 30 mm or 36 mm with thermal insulation panel
- ▶ Can be used for all machine types
- ▶ High stability, high loading capacity and low wear
- ▶ High mould temperatures in comparison to other systems
- ▶ Mechanically reliable
- ▶ Customization of the drilled fastening holes to match the existing machine plate

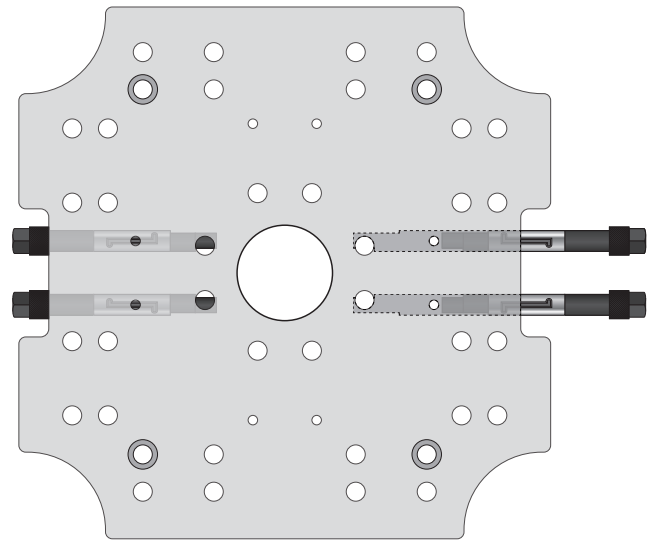
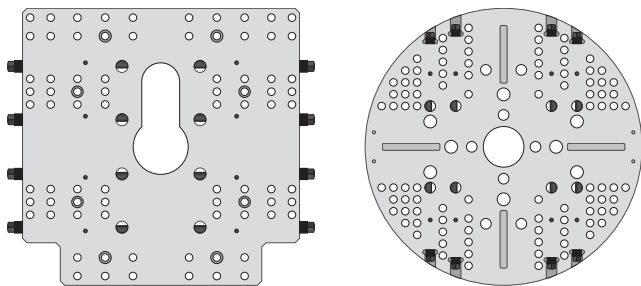
*Mould mounted to the clamping plate*



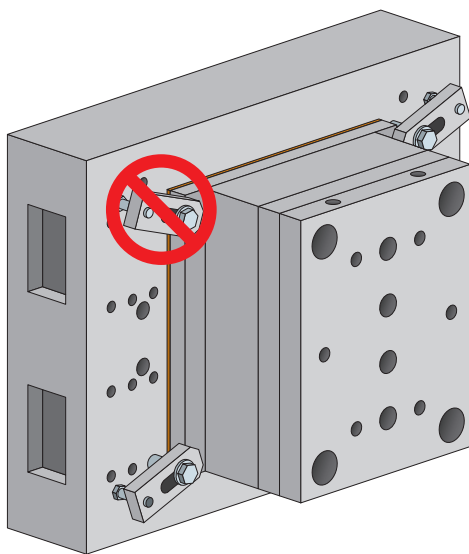
# CHANGEOVER IN JUST A FEW MINUTES

## NO ADDITIONAL TOOLS REQUIRED

With the Zimmer Group quick clamping system, the setup person only needs a single wrench for changeover. No additional tools such as clamps, screws, etc. are necessary and therefore these small parts will also not get lost during live operation. Due to the sophisticated system, setup only requires a few manual steps that can be carried out by one person. A further benefit of the quick clamping system is that no centering ring or similar is necessary, as centering is performed by the clamping pins in the mould. This means that searching for small parts is also unnecessary here.



# CLAMPING WITHOUT A CLAMPING SYSTEM



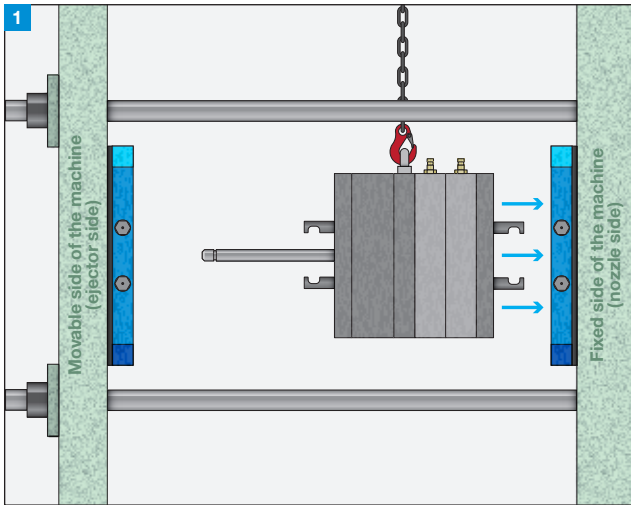
## CONVENTIONAL CLAMPING

It is very common to use a wide variety of tools such as screws, clamps, washers, etc. when changing or clamping injection moulds. As a result, conventional changeover usually involves searching for clamps and screws and other tools.

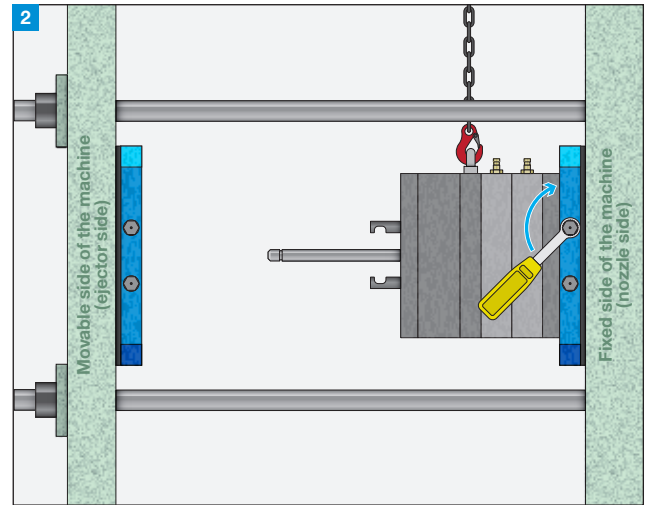
Even the clamping situation is subject to change. Depending on the circumstances, the worker may have to reconfigure the clamping situation for each mould. Another disadvantage of conventional clamping is that the machine plate cannot be fully utilized and when large moulds are being used, two people may be required to clamp them.

# MINIMAL MACHINE SET-UP TIME

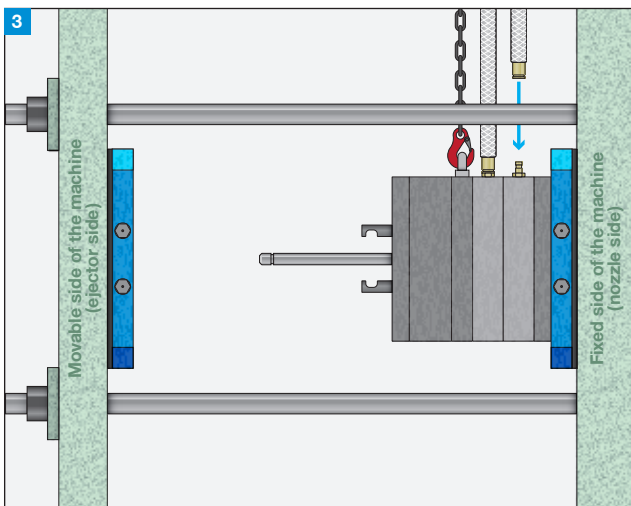
## MAXIMUM PRODUCTIVITY



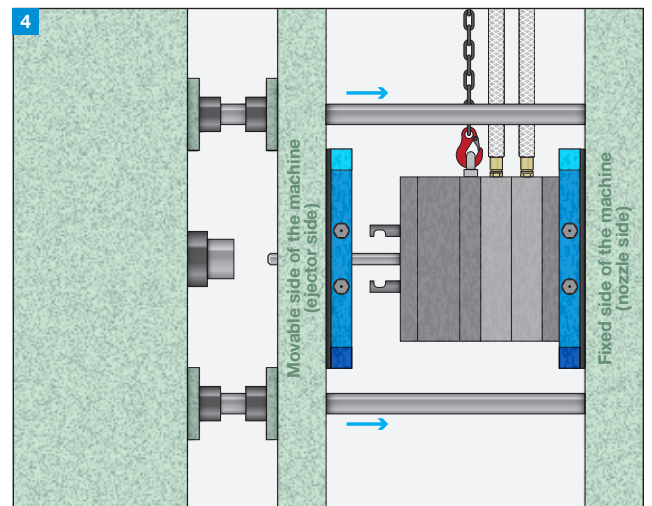
The mould is centered on the nozzle side.



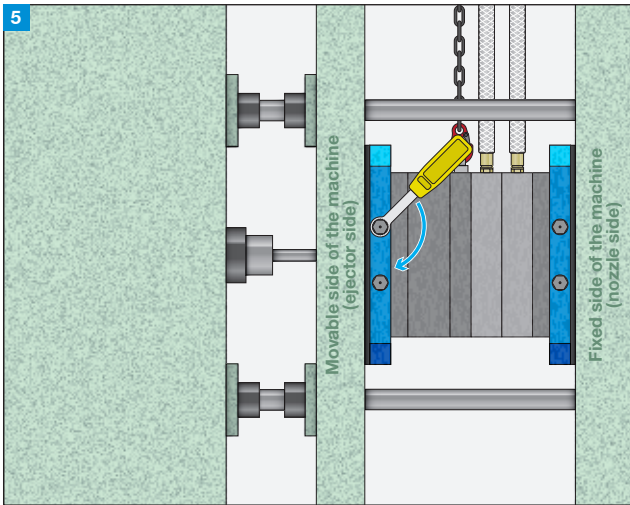
The mould is locked on the nozzle side.



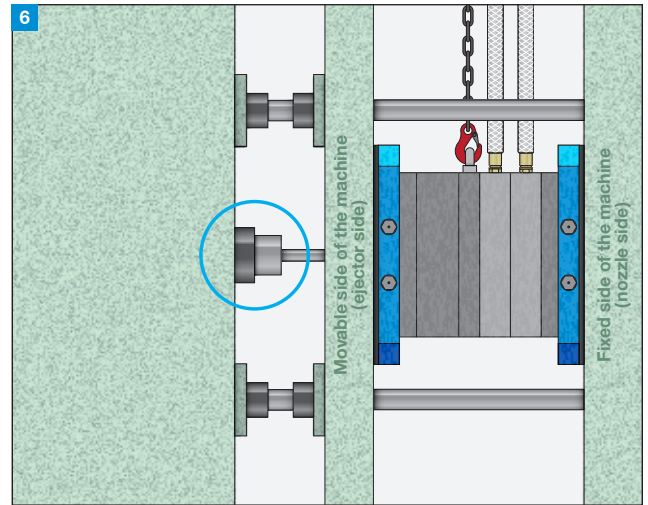
The cooling connections are established.



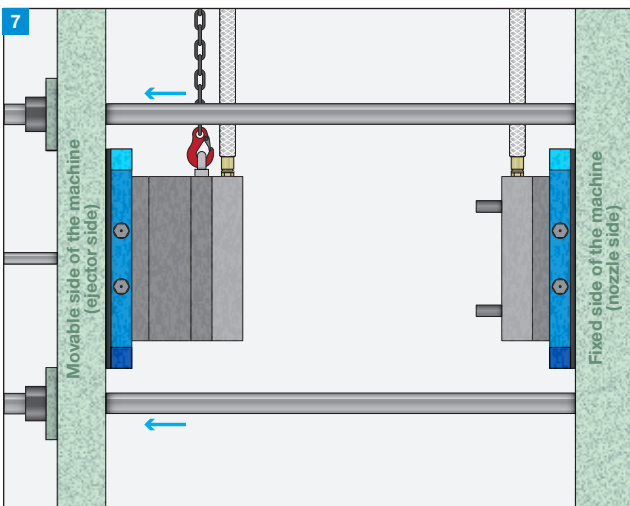
The movable machine side is closed.



The mould is locked on the ejector side.



The ejector rod is coupled.



The movable side can be opened again.



#### INCLUDED IN DELIVERY

- ▶ 2 ready-to-mount quick clamping plates with mounted clamping eccentric
- ▶ 1 adapter for centering on the injection moulding machine
- ▶ 1 system key
- ▶ Screws for fastening the quick clamping plates to the injection moulding machine

## ZIMMER GROUP – THE KNOW-HOW FACTORY

OUR KNOW-HOW FACTORY WORKS WITH ALL INDUSTRIES AND DELIVERS EVERYTHING FROM A SINGLE SOURCE. OUR PRODUCT RANGE IS FAR REACHING, BOTH IN ITS DEPTH AND ITS BREADTH.

DO YOU HAVE A DEVELOPMENT PROBLEM? WE'LL SOLVE IT! SET US A CHALLENGE IN RESEARCH AND DEVELOPMENT. COUNTLESS INNOVATIONS ORIGINATE FROM OUR COMPANY. WE ARE ENTHUSIASTIC ABOUT NEW PRODUCTS AND PRIDE OURSELVES ON OUR CORPORATE PIONEERING SPIRIT.

### CONTACT – WORLDWIDE

With our current 17 global subsidiaries and partners in over 125 countries, we offer the excellent service of a technology leader. We look forward to hearing from you!

[www.zimmer-group.com/en-us/contact](http://www.zimmer-group.com/en-us/contact)



### ZIMMER GROUP SYSTEM TECHNOLOGY – THE SPECIALISTS FOR CUSTOM SOLUTIONS

With over 30 years of development experience, the system technology develops special solutions for handling and automation.

[www.zimmer-group.com/en-us/system-technology](http://www.zimmer-group.com/en-us/system-technology)



### HERE FOR YOU 24/7/365 – OUR VIRTUAL TRADE SHOW BOOTH

With impressive features such as an animated camera flight, clickable information hotspots and 3D models that can be rotated, we guarantee that you will be thrilled—virtually.

[www.zimmer-group.com/en-us/expo](http://www.zimmer-group.com/en-us/expo)



### OUR NEW PRODUCTS

Zimmer Group is renowned as an innovator and for its pioneering spirit. Accordingly, each year we can offer new innovative and individual solutions. For current product highlights, refer to:

[www.zimmer-group.com/en-us/innovations](http://www.zimmer-group.com/en-us/innovations)



HEADQUARTER:  
**ZIMMER GROUP**  
Am Glockenloch 2  
DE 77866 Rheinau  
T +49 7844 9139-0  
F +49 7844 9139-1199  
info.de@zimmer-group.com  
[www.zimmer-group.com](http://www.zimmer-group.com)