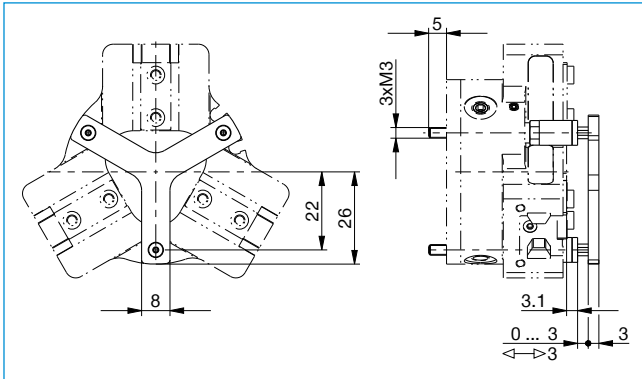


# PRESSURE PIECE

## ADS5004-01 / ADS5004-02

Order no.	▶ Technical data	
	ADS5004-01	ADS5004-02
Compatible with installation size	GPD5004	GPD5004
Suitable for gripper version	N / S	C / O
Total spring force min. [N]	16.5	16.5
Total spring force max. [N]	41.0	41.0
Weight [kg]	0.027	0.029



Gripper is fastened via the [pressure piece](#)