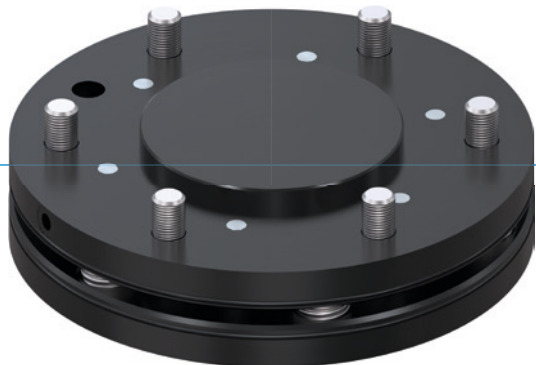


AXIS COMPENSATION MODULES

SERIES ARP

▶ PRODUCT ADVANTAGES



▶ Lockable centre placement

When moving your robot, you can fix the equalizer in place so that uncontrolled movements of the workpiece do not take place

▶ Extremely flat design

This structure reduces the moment load for your robot to a minimum and makes it possible to use smaller and more affordable sizes

▶ Variable balancing force and moment

Adjust the equaliser to your handling weight by mounting a spring package based on desired rigidity

▶ THE BEST PRODUCT FOR YOUR APPLICATION



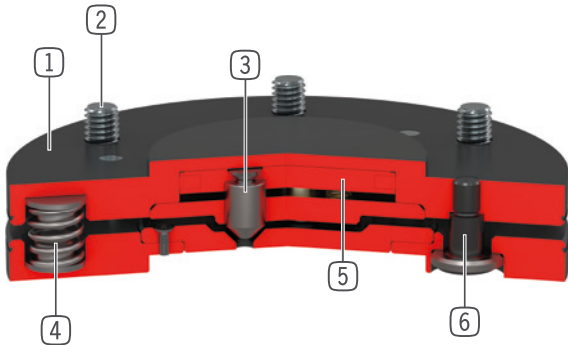
▶ Our products welcome the challenge!

Extreme conditions, all over the world—our tried and tested components and systems give you endless possibilities.

Find the best product for your specific use:

www.zimmer-group.com

► BENEFITS IN DETAIL



- ① **Robust, lightweight housing**
- Hard-coated aluminum alloy
- ② **Robot flange**
- partial mounting circle in accordance with EN ISO 9409-1
- ③ **Locking**
- 3 locking pistons
- nitrated steel
- ④ **Spring package**
- version size 63, stronger one is available
- version size 100, 3 springs can be removed
- ⑤ **Locking drive**
- single-acting pneumatic cylinder
- ⑥ **Guiding bolts with ball cup**

► TECHNICAL DATA

| Installation size | Connecting flange according EN ISO 9409-1 | Deflection horizontal +/- | Deflection vertical +/- |
|-------------------|---|---------------------------|-------------------------|
| | | [mm/°] | [mm/°] |
| AR40P | TK 40 | 2 / 1 | 2 / 1 |
| AR50P | TK 50 | 2 / 1 | 2 / 1 |
| AR63P | TK 63 | 2 / 1 | 2 / 1 |
| AR80P | TK 80 | 2 / 1 | 2 / 1 |
| AR100P | TK 100 | 2 / 1 | 2 / 1 |
| AR125P | TK 125 | 2 / 1 | 2 / 1 |
| AR160P | TK 160 | 2 / 1 | 2 / 1 |

► FURTHER INFORMATION IS AVAILABLE ONLINE



All information just a click away at: www.zimmer-group.com. Find data, illustrations, 3D models and operating instructions for your installation size using the order number for your desired product. Quick, clear and always up-to-date.

AXIS COMPENSATION MODULES

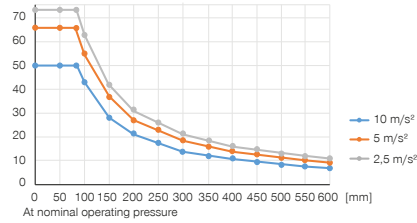
INSTALLATION SIZE AR125P

▶ PRODUCT SPECIFICATIONS



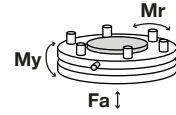
▶ Variable installation position

Shows the maximum handling weight depending on acceleration and lever arm. Does not replace the technical design.



▶ Forces and moments

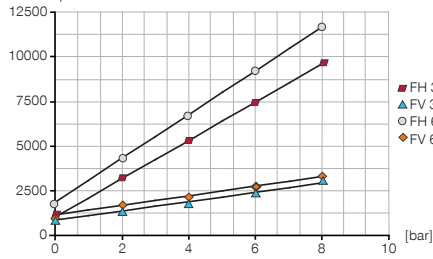
Shows static forces and moments which may impact on the axis compensation module.



| | |
|---------|------|
| Mr [Nm] | 900 |
| My [Nm] | 900 |
| Fa [N] | 7000 |

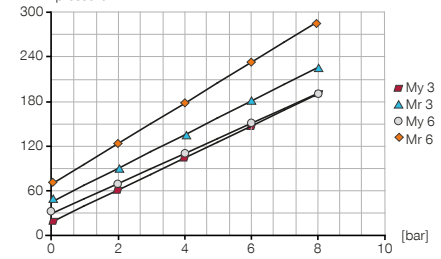
▶ Spring Pack 1 (pre-assembled)

Deviation force horizontal [FH] and vertical [FV] vs the pressure



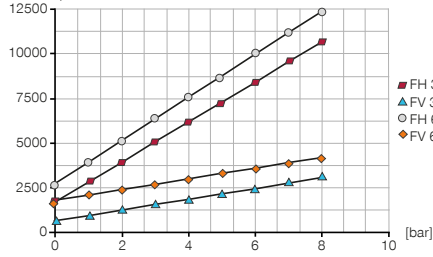
▶ Spring Pack 1 (pre-assembled)

Deviation moment axial [My] and radial [Mr] vs the pressure



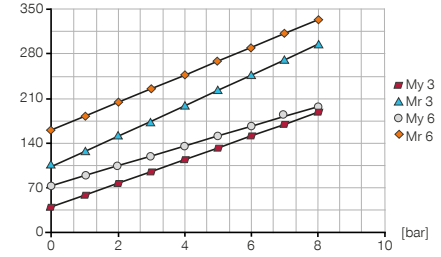
▶ Spring Pack 2

Deviation force horizontal [FH] and vertical [FV] vs the pressure




▶ Spring Pack 2


Deviation moment axial [My] and radial [Mr] vs the pressure




▶ INCLUDED IN DELIVERY



6 [piece]
Cylinder Screw
C7984080169



6 [piece]
Spring Pack 1 (pre-assembled)
CFED12500



6 [piece]
Spring Pack 2
CFED12510

▶ RECOMMENDED ACCESSORIES



ENERGY SUPPLY



ENERGY SUPPLY



GVM5
Straight Fittings - Quick Connect Style



WVM5
Angled Fittings - Quick Connect Style

| Order no. | Technical data |
|---|----------------|
| Connecting flange according EN ISO 9409-1 | TK 125 |
| Installation Height [mm] | 28 |
| Horizontal deviation +/- [mm] | 2 |
| Horizontal deviation +/- [°] | 1 |
| Vertical deviation +/- [mm] | 2 |
| Vertical deviation +/- [°] | 1 |
| Centering force when locking [N] | 3000 |
| Repetition accuracy Horizontal +/- [mm/°] | 0.05 |
| Repetition accuracy Vertical +/- [mm/°] | 0.05 |
| Air volume per cycle [cm³] | 14 |
| Operating pressure [bar] | 1 ... 8 |
| Nominal operating pressure [bar] | 6 |
| Operating temperature [°C] | 5 ... +80 |
| Moment of inertia [kgcm²] | 61 |
| Weight [kg] | 2 |

