

# PNEUMATIC ROTARY MANIFOLDS

## DV2N-B

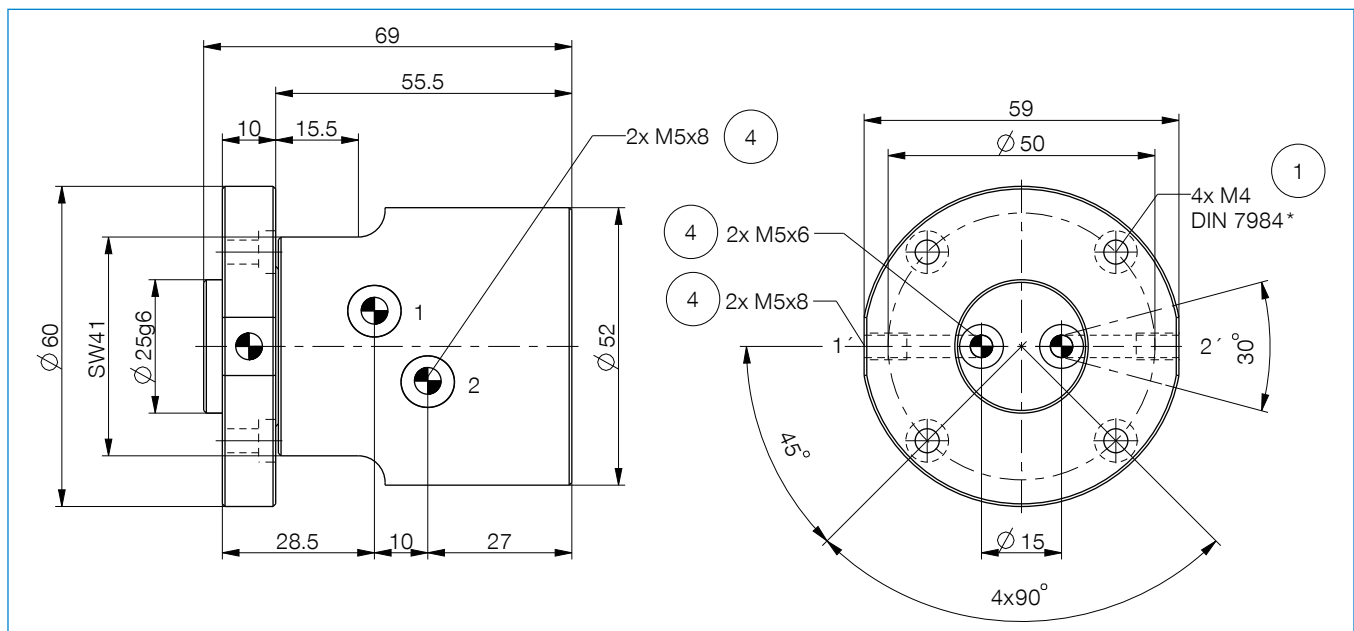
### ▶ PRODUCT SPECIFICATIONS



▶ available with 2 pneumatic feedthroughs

### ▶ Technical Data

| Order no.                            | DV2N-B    |
|--------------------------------------|-----------|
| Air feed-through [Quantity]          | 2         |
| Maximum acceleration [ $m/s^2$ ]     | 22        |
| Maximum speed [ $^\circ/s$ ]         | 720       |
| Axial bearing load [N]               | 1300      |
| Radial bearing load [Nm]             | 104       |
| Operating pressure max. [bar]        | 10        |
| Operating temperature [ $^\circ C$ ] | 5 ... +80 |
| Weight [kg]                          | 0.43      |



① Rotary distributor attachment

④ pneumatic feed-through