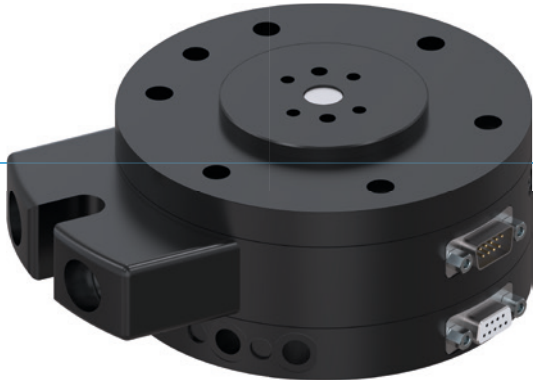


# ROTARY DISTRIBUTORS

## SERIES DVR

### ▶ PRODUCT ADVANTAGES



#### ▶ **Compact media transfer system**

This D1 media exchanger makes cable breaks and undefined interference contours through the power supply line a thing of the past

#### ▶ **Flat design**

This structure reduces the moment load for your robot to a minimum and makes it possible to use smaller and more affordable sizes

#### ▶ **Gold contact**

Allows flexibility for transmission because you can transfer everything from the smallest flows up to 250 volts and 6 amps with process reliability

### ▶ THE BEST PRODUCT FOR YOUR APPLICATION



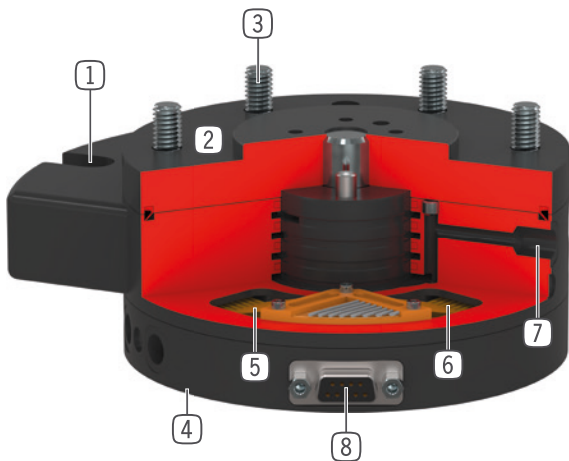
#### ▶ **Our products welcome the challenge!**

Extreme conditions, all over the world—our tried and tested components and systems give you endless possibilities.

Find the best product for your specific use:

[www.zimmer-group.com](http://www.zimmer-group.com)

## ► BENEFITS IN DETAIL



- ① **Torque brace**
  - supports the rotor during rotation (movement)
- ② **Robust, lightweight housing**
  - Hard-coated aluminum alloy
  - nitrated steel
- ③ **Robot flange**
  - partial mounting circle in accordance with EN ISO 9409-1
- ④ **Direct air connection**
  - to WWR series
- ⑤ **Spring system**
  - from size DVR63 double fitting
- ⑥ **Collector ring**
  - hard gold coated
  - transferable to finest currents
- ⑦ **Up to 8 way integrated air feed-through**
  - for hoseless air transfer
  - hose package does not have to be pivoted
- ⑧ **Up to 12 pole energy transfer**
  - for cable-free signal transfer
  - no cables are subjected to torsion

## ► TECHNICAL DATA

Installation size	Connecting flange according EN ISO 9409-1	Pneumatic energy transfer	Electrical energy transfer
		[Quantity]	
DVR40	TK 40	4	4-pole
DVR50	TK 50	4	4-pole
DVR63	TK 63	6	6-pole
DVR80	TK 80	6	6-pole
DVR100	TK 100	4 / 8	8-pole
DVR125	TK 125	4 / 8	12-pole
DVR160	TK 160	4 / 8	12-pole

## ► FURTHER INFORMATION IS AVAILABLE ONLINE



All information just a click away at: [www.zimmer-group.com](http://www.zimmer-group.com). Find data, illustrations, 3D models and operating instructions for your installation size using the order number for your desired product. Quick, clear and always up-to-date.

# ROTARY DISTRIBUTORS

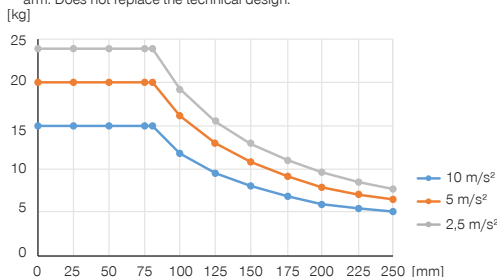
## INSTALLATION SIZE DVR50

### ▶ PRODUCT SPECIFICATIONS



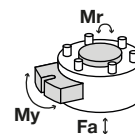
#### ▶ Variable installation position

Shows the maximum handling weight depending on acceleration and lever arm. Does not replace the technical design.



#### ▶ Forces and moments

Shows static forces and moments which may impact on the rotary distributor.



Mr [Nm]	60
My [Nm]	60
Fa [N]	800

### ▶ INCLUDED IN DELIVERY



4 [piece]  
Cylinder Screw  
C7984060129



4 [piece]  
O-Ring  
COR0025100

### ▶ RECOMMENDED ACCESSORIES



#### ENERGY SUPPLY



**GVM5**  
Straight Fittings - Quick Connect Style



**WVM5**  
Angled Fittings - Quick Connect Style



#### CONNECTIONS / OTHER



**KAG500B4**  
Plug-in connector Straight Cable 5m - Socket M8 (female)



#### CONNECTIONS / OTHER



**KAG500S4**  
Plug-in Connector Straight Cable 5m - Connector M8



**KAW500B4**  
Plug-in connector Angled Cable 5m - Socket M8 (female)



**KAW500S4**  
Plug-in Connector Angled Cable 5m - Connector M8

