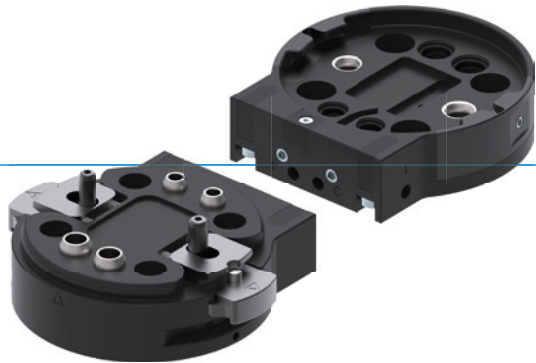


TOOL CHANGERS

SERIES FWR

▶ PRODUCT ADVANTAGES



▶ THE BEST PRODUCT FOR YOUR APPLICATION



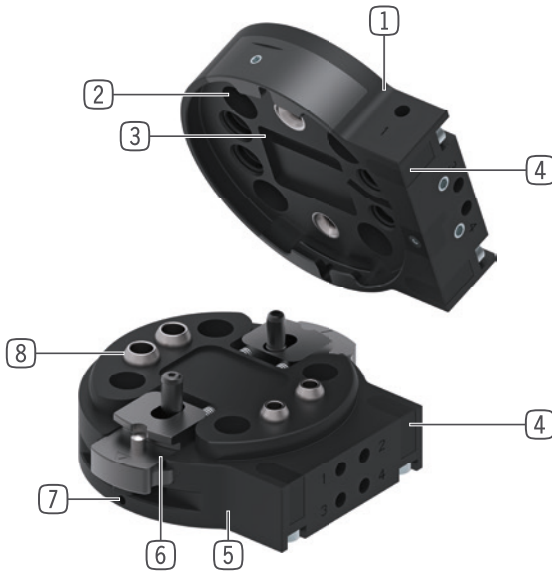
▶ **Our products welcome the challenge!**

Extreme conditions, all over the world—our tried and tested components and systems give you endless possibilities.

Find the best product for your specific use:

www.zimmer-group.com

► BENEFITS IN DETAIL



- ① **Fix part**
 - For robot side assembly
- ② **Connecting flange**
 - partial mounting circle in accordance with EN ISO 9409-1
- ③ **Loose part presence sensing**
 - Via inductive proximity switch
- ④ **Mounting for energy element**
 - Direct connection, without adapter plates
- ⑤ **Loose part**
 - For tool side assembly
- ⑥ **Locking**
 - Manual actuation
 - Automatic actuation via a storage station
- ⑦ **Lock for manual actuation (optional)**
 - Secure against inadvertent loosening
- ⑧ **Integrated air feed-through**
 - Air / vacuum transfer
 - Hoseless control possible

► TECHNICAL DATA

Installation size	Connecting flange according EN ISO 9409-1	Handling weight max.*	Tool weight max.**	Pneumatic energy transfer
		[kg]	[kg]	[Quantity]
FWR40	TK 40	13	5	4
FWR50	TK 50	16	7	4
FWR63	TK 63	20	10	4
FWR80	TK 80	29	12	4

*The **handling weight** is the maximum weight that may be on the tool changer.

Handling weight = end effector + workpiece

The **tool weight is the maximum weight of the end effector that may be in the storage station (without workpiece).

Tool weight = end effector + loose part

► FURTHER INFORMATION IS AVAILABLE ONLINE



All information just a click away at: www.zimmer-group.com. Find data, illustrations, 3D models and operating instructions for your installation size using the order number for your desired product. Quick, clear and always up-to-date.

TOOL CHANGERS

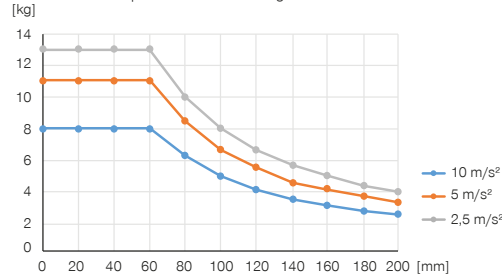
INSTALLATION SIZE FWR40

▶ PRODUCT SPECIFICATIONS



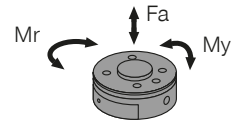
▶ Variable installation position

Shows the maximum handling weight depending on acceleration and lever arm. Does not replace the technical design.



▶ Forces and moments

Shows static forces and moments which may impact on the tool changer.



Mr [Nm]	40
My [Nm]	40
Fa [N]	1000

▶ INCLUDED IN DELIVERY



2 [piece]
Mounting screw
C737903062



4 [piece]
O-Ring
COR0050100

▶ RECOMMENDED ACCESSORIES



ENERGY SUPPLY



GVM5
Straight Fittings - Quick Connect Style



CONNECTIONS / OTHER



Energy elements and accessories for tool changer



SENSORS



NJR04-E2SK
Inductive Proximity Switch Cable 0,3 m - Connector M8



AFWR1-40-A
Storage station

▶ RECOMMENDED ACCESSORY STORAGE STATION

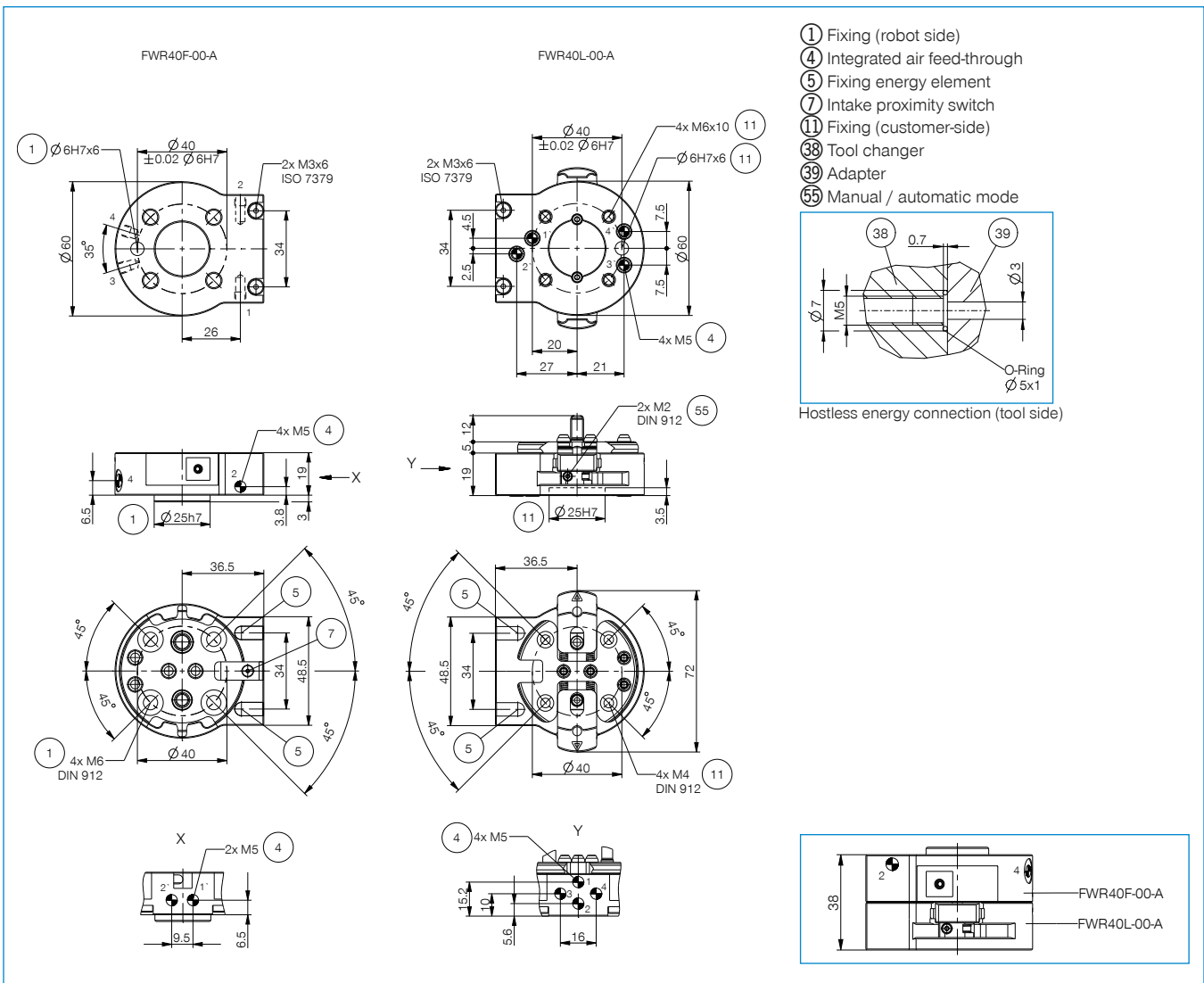


NJ5-E2SK-01
Inductive Proximity Switch Cable 0,3 m - Connector M8

Order no.	► Technical data	
	FWR40F-00-A	FWR40L-00-A
Connecting flange according EN ISO 9409-1	TK 40	TK 40
Handling weight max. [kg]	13	13
Tool weight max. [kg]	5	5
Pneumatic energy transfer [Quantity]	4	4
Flow per connector M5 [l/min]	170	170
Electrical energy transfer	optional	optional
Locking stroke [mm]	0.6	
Repetition accuracy in Z [mm]	0.02	
Repetition accuracy in X, Y [mm]	0.03	
Joining force [N]	0	0
Release force [N]	0	0
Offset at coupling max. in X,Y [mm]	1.8	1.8
Offset at coupling max. in X,Y [°]	1.3	1.3
Tightening force [N]*	50	
Tightening torque [Nm]*	3	
Operating pressure for energy transmission [bar]	-0.6 ... 6	-0.6 ... 6
Operating temperature [°C]	5 ... +80	5 ... +80
Moment of inertia [kgcm ²]	0.95	1.19
Protection to IEC 60529	IP44**	IP44**
Weight [kg]	0.15	0.22

*Note the mating force of the energy elements!

** only in coupled state



ENERGY ELEMENTS FOR TOOL CHANGER

SIZES FWR40 / FWR50

▶ CONNECTION DIAGRAM

