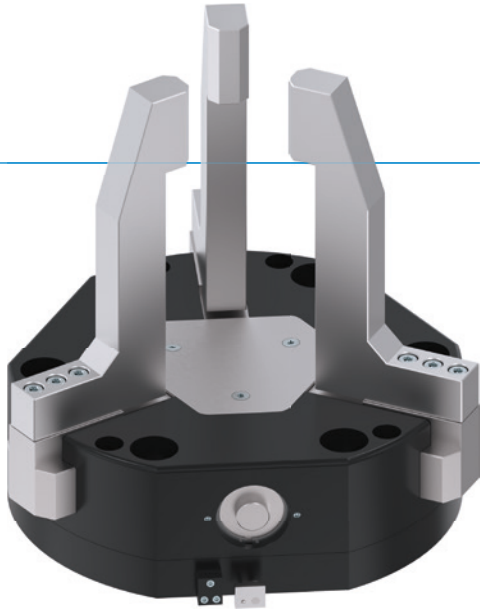


3-JAW CONCENTRIC GRIPPERS WITH LONG STROKE SERIES GD500

▶ PRODUCT ADVANTAGES



“The flat”

▶ **Reduced installation height due to horizontal drive**

Reduces the interference contours for your application

▶ **Proven T slot guide**

This established and proven guiding technology stands for the highest process reliability like no other

▶ **Failure-free continuous operation**

Our uncompromising “Made in Germany” quality guarantees up to 10 million maintenance-free cycles

▶ SERIES CHARACTERISTICS

Installation size

GD5XX



10 million maintenance-free cycles (max.)



Inductive sensor

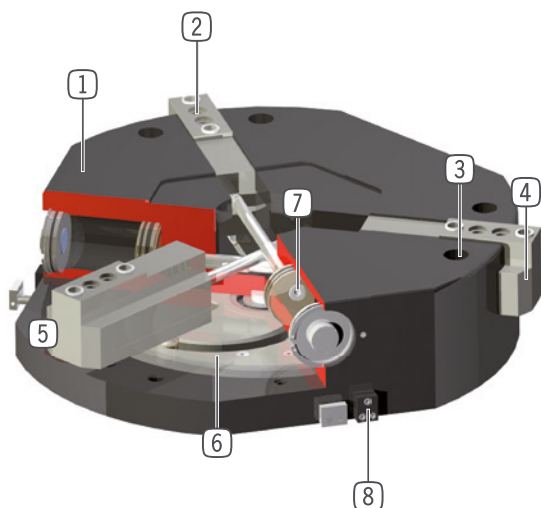


IP40





► BENEFITS IN DETAIL



- ① **Robust, lightweight housing**
 - Hard-coated aluminum alloy
- ② **Removable centering sleeves**
 - quick and economical positioning of the gripper fingers
- ③ **Mounting and positioning**
- ④ **Gripper jaw**
 - ground, hardened steel
 - individual gripper finger mounting
- ⑤ **Precise T-Slot guide**
 - high forces and moments capacity
- ⑥ **Cam**
 - synchronized jaw movement
- ⑦ **Drive**
 - three double-acting pneumatic cylinders
- ⑧ **Mounting block**
 - mounting for inductive proximity switch

► TECHNICAL DATA

| Installation size | Stroke per jaw [mm] | Gripping force [N] | Weight [kg] | IP class |
|-------------------|---------------------|--------------------|-------------|----------|
| GD530 | 30 | 1300 | 7.3 | IP40 |
| GD540 | 40 | 2480 | 22 | IP40 |
| GD560 | 60 | 2480 | 34 | IP40 |

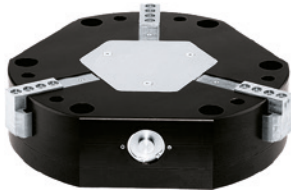
► FURTHER INFORMATION IS AVAILABLE ONLINE



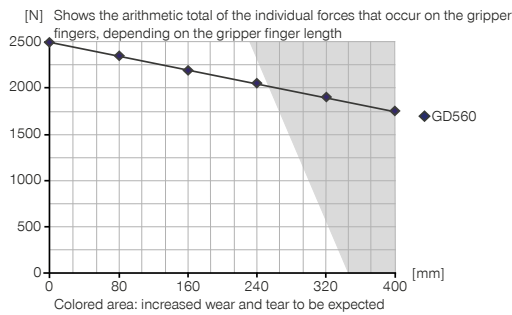
All information just a click away at: www.zimmer-group.com. Find data, illustrations, 3D models and operating instructions for your installation size using the order number for your desired product. Quick, clear and always up-to-date.

3-JAW CONCENTRIC GRIPPERS WITH LONG STROKE INSTALLATION SIZE GD560

▶ PRODUCT SPECIFICATIONS

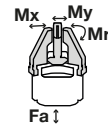


▶ Gripping force diagram



▶ Forces and moments

Displays static forces and moments that can also have an effect, besides the gripping force.



| | |
|---------|------|
| Mr [Nm] | 300 |
| Mx [Nm] | 200 |
| My [Nm] | 300 |
| Fa [N] | 8000 |

▶ INCLUDED IN DELIVERY



2 [piece]
Mounting block
KB8K



6 [piece]
Centering Disc
DST42000

▶ RECOMMENDED ACCESSORIES



ENERGY SUPPLY



GV1-4X8
Straight Fittings - Quick Connect Style



WV1-4X8
Angled Fittings - Quick Connect Style



DEV08
Quick Exhaust Valve



DSV1-8
Pressure safety valve



DSV1-8E
Pressure safety valve with quick exhaust



SENSORS



NJ8-E2
Inductive proximity switch - Cable 5 m



SENSORS



NJ8-E2S
Inductive proximity switch - Connector M8



CONNECTIONS / OTHER



KAG500
Plug-in connector Straight Cable 5m - Socket M8 (female)



KAW500
Plug-in connector Angled Cable 5m - Socket M8 (female)



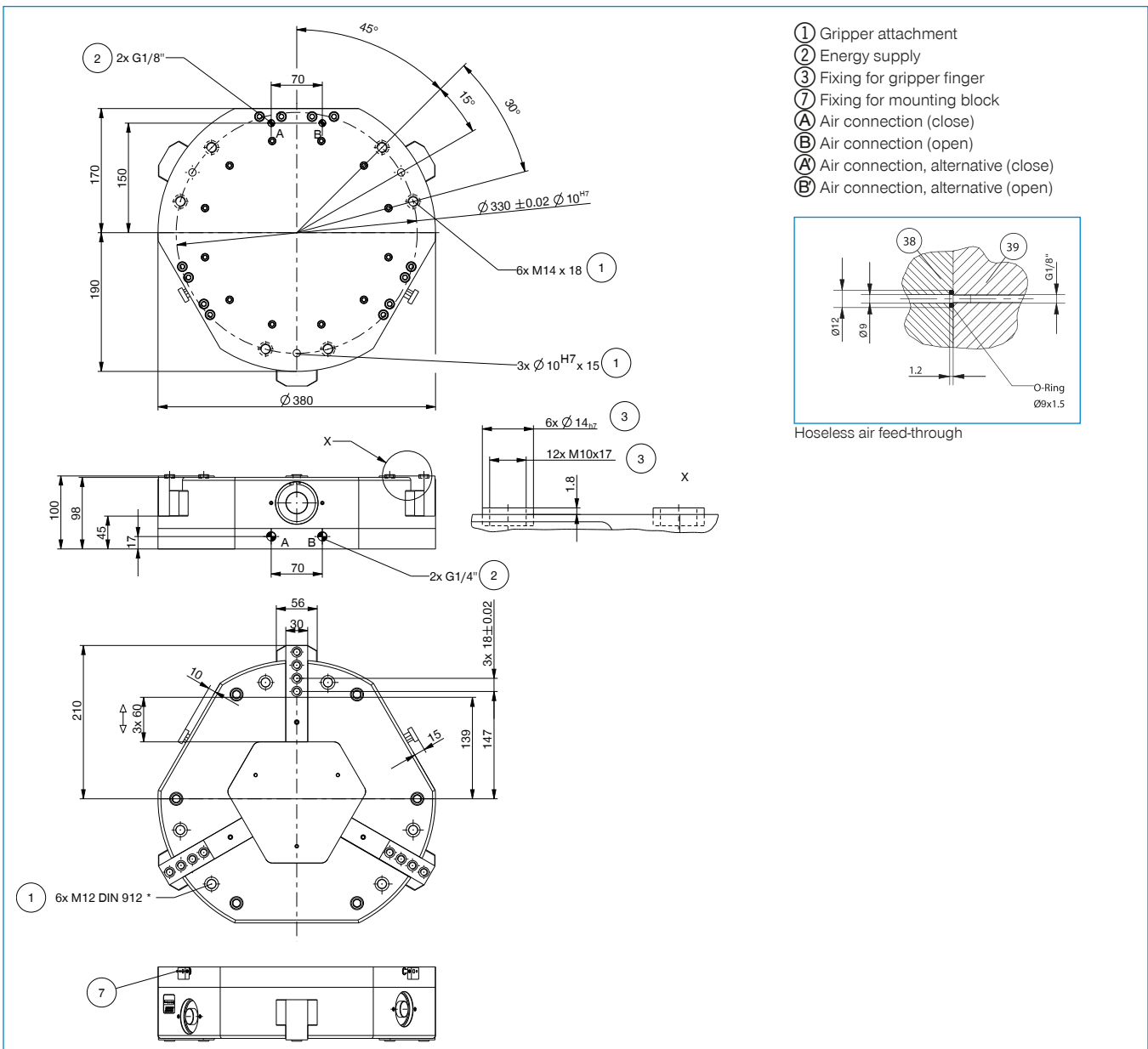
S8-G-3
Plug-in connector customizable Straight - Connector M8



S12-G-3
Plug-in connector customizable Straight - Connector M12

| Order no. | GD560 |
|---|-------|
| Stroke per jaw [mm] | 60 |
| Gripping force in closing [N] | 2480 |
| Gripping force in opening [N] | 2480 |
| Closing time [s] | 0.45 |
| Opening time [s] | 0.45 |
| Repetition accuracy +/- [mm] | 0.05 |
| Operating pressure min. [bar] | 3 |
| Operating pressure max. [bar] | 8 |
| Nominal operating pressure [bar] | 6 |
| Operating temperature min. [°C] | +5 |
| Operating temperature max. [°C] | +80 |
| Air volume per cycle [cm ³] | 650 |
| Protection to IEC 60529 | IP40 |
| Weight [kg] | 34 |

► **Technical data**



- ① Gripper attachment
- ② Energy supply
- ③ Fixing for gripper finger
- ⑦ Fixing for mounting block
- A Air connection (close)
- B Air connection (open)
- A' Air connection, alternative (close)
- B' Air connection, alternative (open)

