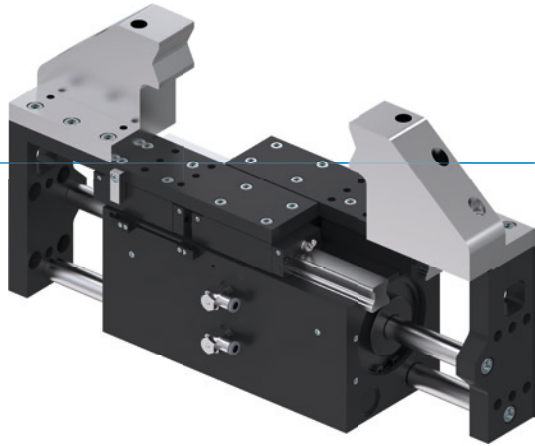


# 2-JAW PARALLEL GRIPPERS WITH LONG STROKE SERIES GH7000

## ▶ PRODUCT ADVANTAGES



### “The strong”

#### ▶ High gripping force

The high gripping force allows you to handle the heaviest workpieces in your application reliably

#### ▶ High moment load

The heavy-duty linear guide provides the highest possible durability for your application

#### ▶ Failure-free continuous operation


Our uncompromising “Made in Germany” quality guarantees up to 10 million maintenance-free cycles

## ▶ SERIES CHARACTERISTICS

### Installation size

#### GH7XXXX

 10 million maintenance-free cycles (max.)

 Inductive sensor

 IP64

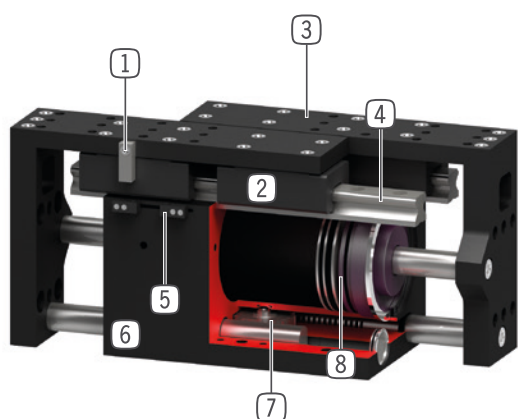
●

●

●



## ► BENEFITS IN DETAIL



- ① **Switch cam**
  - for position sensing
- ② **Carriage with wiper**
  - for use under extreme conditions
- ③ **Gripper jaw**
  - individual gripper finger mounting
- ④ **Precise linear guide**
  - ideal for highest transverse forces and loads
  - double secured against twisting
- ⑤ **Mounting block adjustable**
  - direct sensing of the gripper jaw position
- ⑥ **Robust, lightweight housing**
  - Hard-coated aluminum alloy
- ⑦ **Synchronization**
  - via rack and pinion
- ⑧ **Drive**
  - two double-acting pneumatic cylinders

## ► TECHNICAL DATA

	Stroke per jaw	Gripping force	Weight	IP class
Installation size	[mm]	[N]	[kg]	
<b>GH7665</b>	65	8000 - 8500	33	IP64
<b>GH76100</b>	100	8000 - 8500	37	IP64

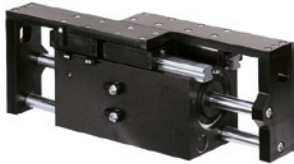
## ► FURTHER INFORMATION IS AVAILABLE ONLINE



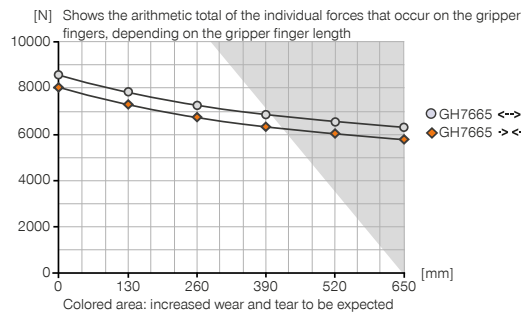
All information just a click away at: [www.zimmer-group.com](http://www.zimmer-group.com). Find data, illustrations, 3D models and operating instructions for your installation size using the order number for your desired product. Quick, clear and always up-to-date.

# 2-JAW PARALLEL GRIPPERS WITH LONG STROKE INSTALLATION SIZE GH7665

## ▶ PRODUCT SPECIFICATIONS



### ▶ Gripping force diagram



### ▶ Forces and moments

Displays static forces and moments that can also have an effect, besides the gripping force.



Mr [Nm]	2000
Mx [Nm]	2000
My [Nm]	1500
Fa [N]	40000

## ▶ INCLUDED IN DELIVERY



2 [piece]  
Mounting block  
**KB8-28**



2 [piece]  
Flow Control Valves - with Swivel joint  
**DRV1-4X8**

## ▶ RECOMMENDED ACCESSORIES



### ENERGY SUPPLY



**DSV1-4**  
Pressure safety valve



**DSV1-4E**  
Pressure safety valve with quick exhaust



### SENSORS



**NJ8-E2**  
Inductive proximity switch - Cable 5 m



**NJ8-E2S**  
Inductive proximity switch - Connector M8



### CONNECTIONS / OTHER



**KAG500**  
Plug-in connector Straight Cable 5m - Socket M8 (female)



**KAW500**  
Plug-in connector Angled Cable 5m - Socket M8 (female)



**S8-G-3**  
Plug-in connector customizable Straight - Connector M8



**S12-G-3**  
Plug-in connector customizable Straight - Connector M12

Order no.	Technical data
	<b>GH7665</b>
Stroke per jaw [mm]	65
Gripping force in closing [N]	8000
Gripping force in opening [N]	8500
Closing time [s]	1.1
Opening time [s]	1.1
Repetition accuracy +/- [mm]	0.05
Operating pressure min. [bar]	3
Operating pressure max. [bar]	8
Nominal operating pressure [bar]	6
Operating temperature min. [°C]	+5
Operating temperature max. [°C]	+80
Air volume per cycle [cm³]	1985
Protection to IEC 60529	IP64
Weight [kg]	33

