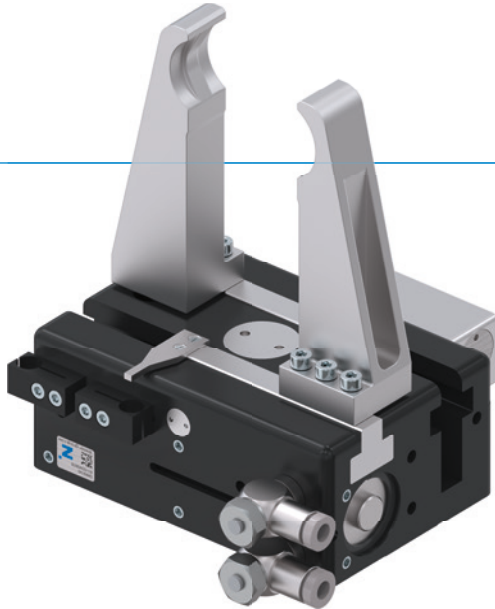


2-JAW PARALLEL GRIPPERS WITH LONG STROKE SERIES GHK6000

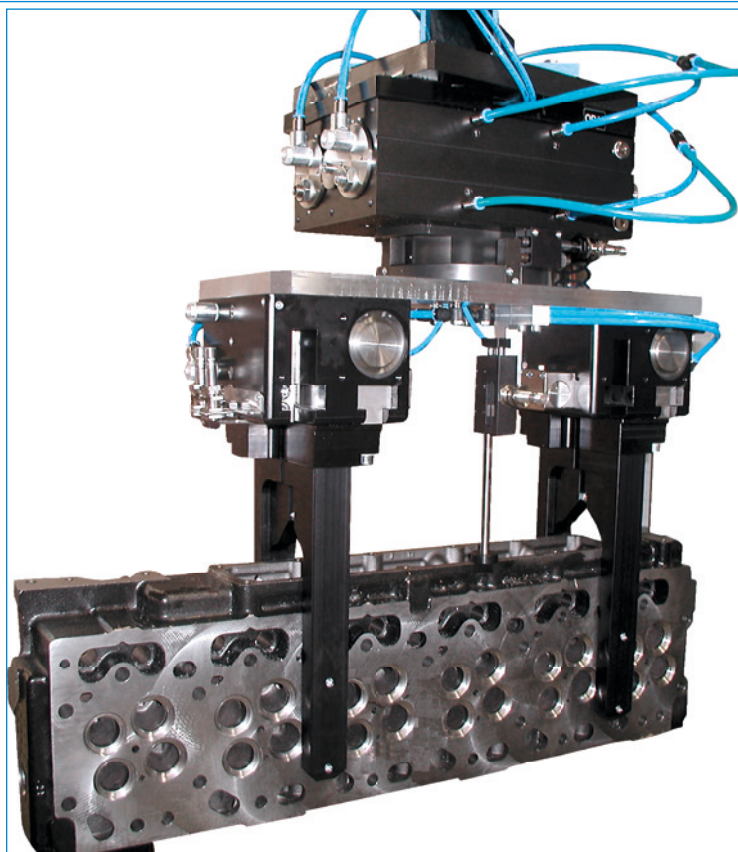
▶ PRODUCT ADVANTAGES



“The robust”

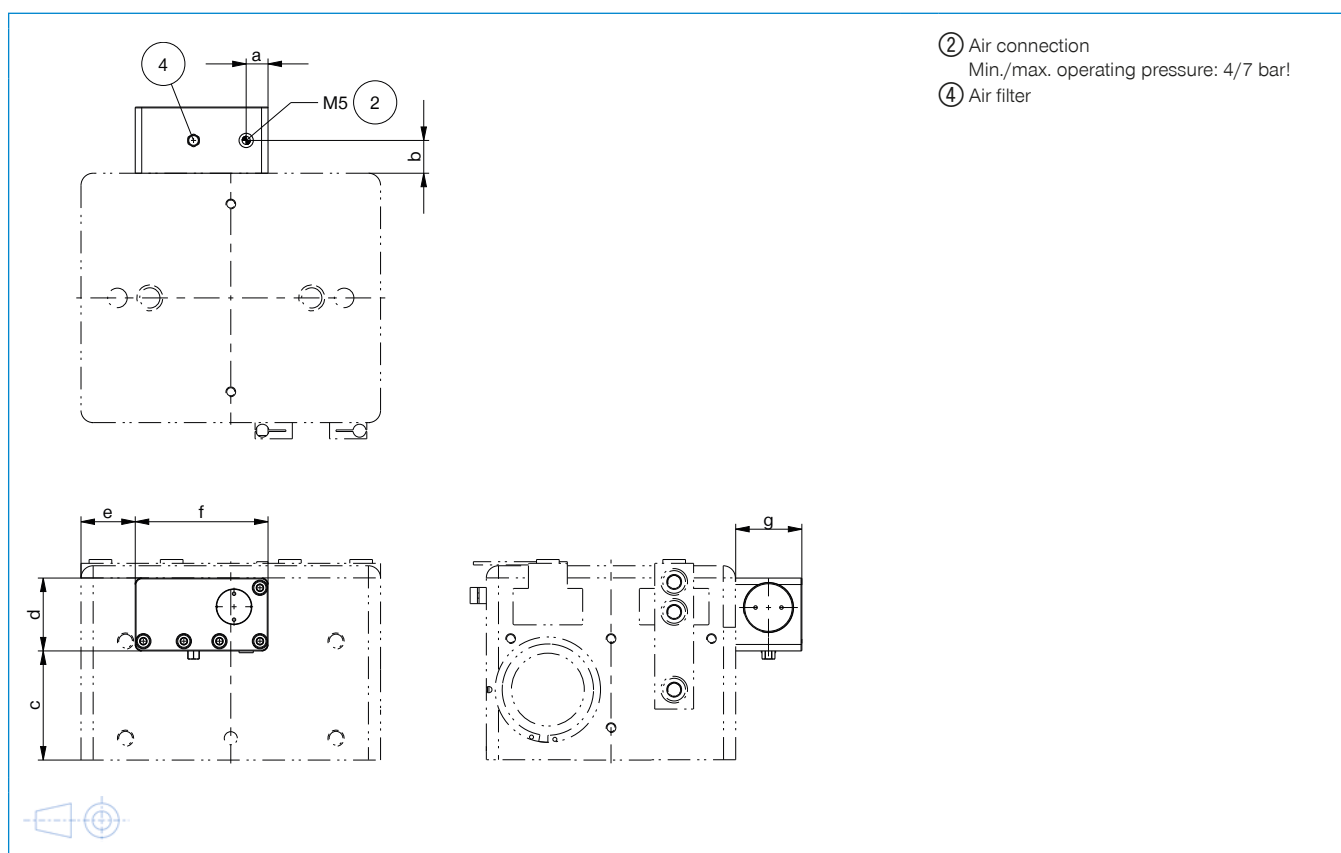
- ▶ Securing the workpiece in case of drop in pressure above clamping element on the condition of a positive gripper jaw design
- ▶ Dimensions based on GH6000 series standard gripper
- ▶ Long stroke, up to 200 mm per jaw
- ▶ Stable T-slot guide, guided completely along the entire length of the housing
- ▶ For gripper fingers with a length of up to 600 mm
- ▶ Compact design, through stacked cylinder and guide

▶ THE BEST PRODUCT FOR YOUR APPLICATION





▶ TECHNICAL DRAWINGS



▶ TECHNICAL DATA

| Installation size | Retention force in case of drop in pressure | A | B | C | D | E | F | G |
|-------------------|---|------|------|------|------|-------|------|------|
| | [N] | [mm] | [mm] | [mm] | [mm] | [mm] | [mm] | [mm] |
| GHK6140 | 300 | 9.6 | 11.5 | 21.7 | 25 | 17.5 | 58 | 22 |
| GHK6160 | 300 | 9.6 | 11.5 | 21.7 | 25 | 37.5 | 58 | 22 |
| GHK6180 | 300 | 9.6 | 11.5 | 21.7 | 25 | 57.5 | 58 | 22 |
| GHK6240 | 640 | 15 | 14 | 39.5 | 35 | 20 | 66 | 27 |
| GHK6260 | 640 | 15 | 14 | 39.5 | 35 | 40 | 66 | 27 |
| GHK6280 | 640 | 15 | 14 | 39.5 | 35 | 60 | 66 | 27 |
| GHK62100 | 640 | 15 | 14 | 39.5 | 35 | 80 | 66 | 27 |
| GHK62150 | 640 | 15 | 14 | 39.5 | 35 | 130 | 66 | 27 |
| GHK6360 | 640 | 15 | 14 | 56 | 35 | 47.5 | 66 | 27 |
| GHK63100 | 640 | 15 | 14 | 56 | 35 | 87.5 | 66 | 27 |
| GHK63150 | 640 | 15 | 14 | 56 | 35 | 137.5 | 66 | 27 |
| GHK6460 | 1050 | 13.5 | 20.5 | 67.4 | 45 | 33.5 | 82 | 41 |
| GHK64100 | 1050 | 13.5 | 20.5 | 67.4 | 45 | 73.5 | 82 | 41 |
| GHK64150 | 1050 | 13.5 | 20.5 | 67.4 | 45 | 123.5 | 82 | 41 |
| GHK64200 | 1050 | 13.5 | 20.5 | 67.4 | 45 | 173.5 | 82 | 41 |

▶ FURTHER INFORMATION IS AVAILABLE ONLINE



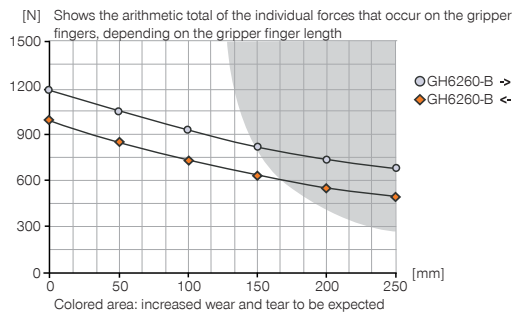
All information just a click away at: www.zimmer-group.com. Find data, illustrations, 3D models and operating instructions for your installation size using the order number for your desired product. Quick, clear and always up-to-date.

2-JAW PARALLEL GRIPPERS WITH LONG STROKE INSTALLATION SIZE GH6260

▶ PRODUCT SPECIFICATIONS

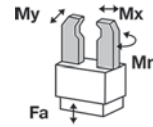


▶ Gripping force diagram



▶ Forces and moments

Displays static forces and moments that can also have an effect, besides the gripping force.



| | |
|---------|------|
| Mr [Nm] | 120 |
| Mx [Nm] | 150 |
| My [Nm] | 100 |
| Fa [N] | 3000 |

▶ INCLUDED IN DELIVERY



2 [piece]
Mounting block
KB8-28



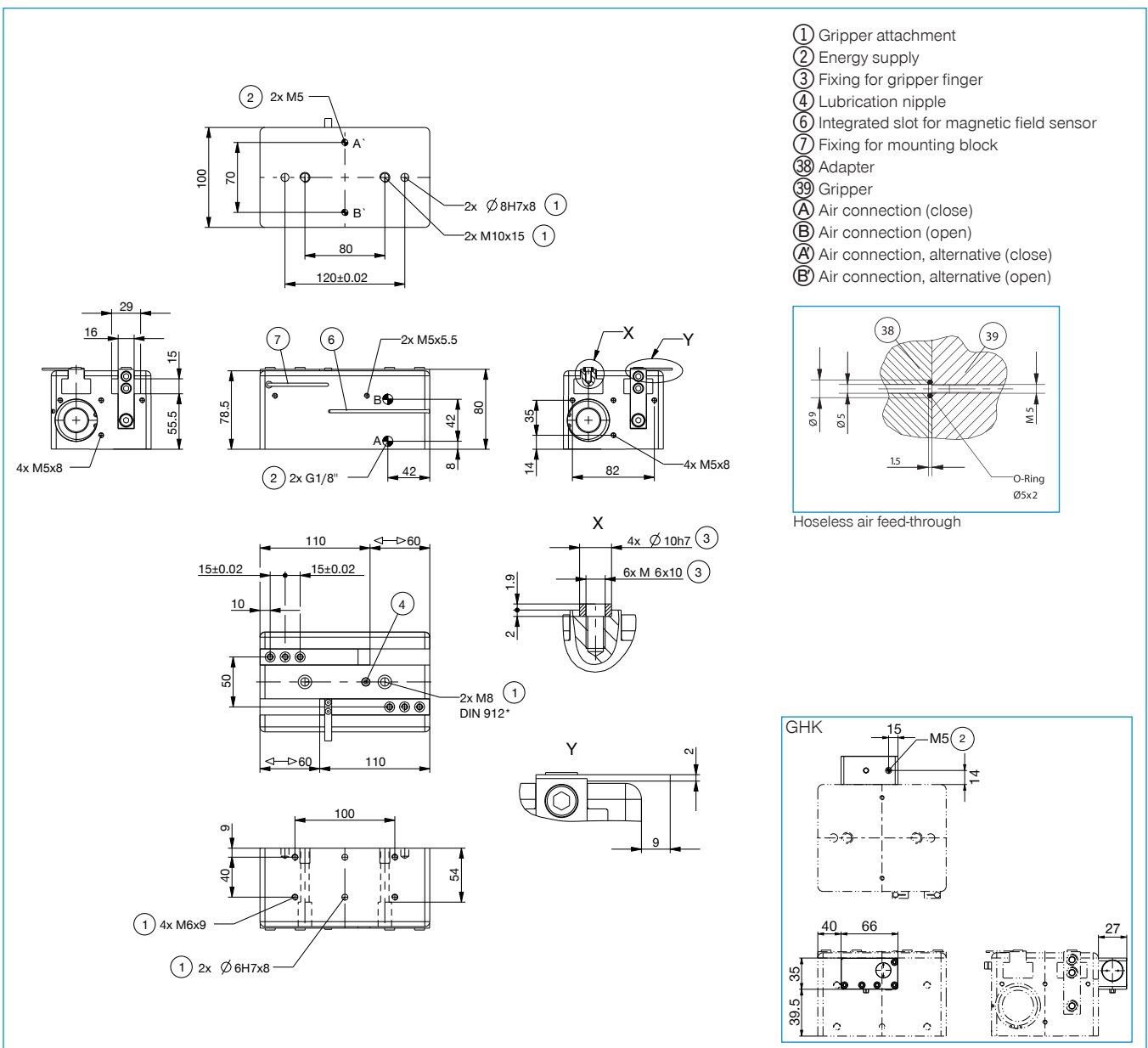
4 [piece]
Centering Disc
DST41000



2 [piece]
Flow Control Valves - with Swivel joint
DRV1-8X8

▶ YOU CAN FIND RECOMMENDED ACCESSORIES ON THE FOLLOWING PAGES

| Order no. | ► Technical data | |
|---|------------------|---------|
| | GH6260-B | GHK6260 |
| Stroke per jaw [mm] | 60 | 60 |
| Gripping force in closing [N] | 1200 | 1200 |
| Gripping force in opening [N] | 980 | 980 |
| Closing time [s] | 0.35 | 0.35 |
| Opening time [s] | 0.35 | 0.35 |
| Dead weight of mounted gripper finger max. [kg] | 2.5 | 2.5 |
| Length of the gripper fingers max. [mm] | 250 | 250 |
| Repetition accuracy +/- [mm] | 0.05 | 0.05 |
| Operating pressure min. [bar] | 3 | 3 |
| Operating pressure max. [bar] | 8 | 8 |
| Nominal operating pressure [bar] | 6 | 6 |
| Operating temperature min. [°C] | +5 | +5 |
| Operating temperature max. [°C] | +80 | +80 |
| Air volume per cycle [cm³] | 275 | 275 |
| Protection to IEC 60529 | IP40 | IP40 |
| Weight [kg] | 4.1 | 4.5 |



- ① Gripper attachment
- ② Energy supply
- ③ Fixing for gripper finger
- ④ Lubrication nipple
- ⑥ Integrated slot for magnetic field sensor
- ⑦ Fixing for mounting block
- ③⑧ Adapter
- ③⑨ Gripper
- Ⓐ Air connection (close)
- Ⓑ Air connection (open)
- Ⓐ Air connection, alternative (close)
- Ⓑ Air connection, alternative (open)

