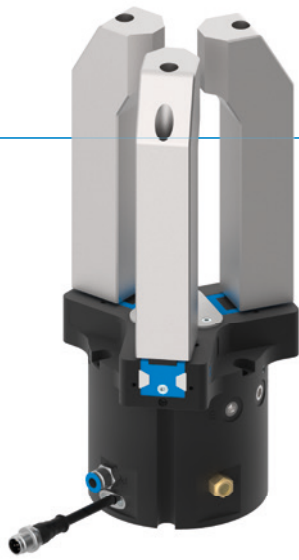


# 3-JAW CONCENTRIC GRIPPERS

## SERIES GPD5000IL

### ▶ PRODUCT ADVANTAGES



IO-Link

#### “The hybrid”

- ▶ Pneumatic drive combined with IO-Link technology
- ▶ Up to 50% reduction in cycle times and up to 90% less compressed air usage
- ▶ Connection over just one pneumatic line and IO-Link cable
- ▶ Integrated valve technology, sensor technology, status display, pressure monitoring and temperature monitoring
- ▶ Part detection down to +/- 0.05 mm for a tolerance range that can be taught for any value
- ▶ 32 workpieces data sets can be programmed
- ▶ Protected from corrosion and sealed in accordance with IP64
- ▶ Up to 30 million cycles without maintenance



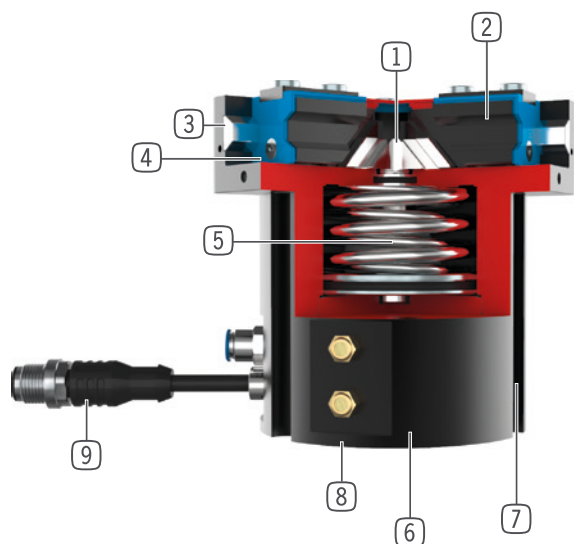
reddot design award  
winner 2018

### ▶ SERIES CHARACTERISTICS

| Installation size                         | Version |    |    |   |    |    |
|---|---------|----|----|---|----|----|
| GPD50XXIL                                 | N       | NC | NO | S | SC | SO |
| IO-Link                                   | •       | •  | •  | • | •  | •  |
| Spring closing C                          |         | •  |    |   | •  |    |
| Spring opening O                          |         |    | •  |   |    | •  |
| High-strength S                           |         |    |    | • | •  | •  |
| 30 million maintenance-free cycles (max.) | •       | •  | •  | • | •  | •  |
| Integrated sensing                        | •       | •  | •  | • | •  | •  |
| Integrated valve technology               | •       | •  | •  | • | •  | •  |
| Protected against corrosion               | •       | •  | •  | • | •  | •  |
| Purged air                                | •       | •  | •  | • | •  | •  |
| IP64                                      | •       | •  | •  | • | •  | •  |



## ► BENEFITS IN DETAIL



- ① **Wedge hook mechanism**
  - high forces and moments capacity
  - Synchronized gripper jaw movement
- ② **Gripper jaw**
  - Gripper fingers mounted using removable centering sleeves
  - Lubricated for life via incorporated lubrication slots
- ③ **Steel Linear Guide**
  - Steel in steel guide
  - Enables use of extremely long gripper fingers
- ④ **Dual lip seal**
  - IP64
  - Prevents grease from being squeezed out, increasing service life
- ⑤ **Integrated gripping force safety device**
  - Spring built into cylinder chamber as an energy store
- ⑥ **Mounting and positioning**
  - Alternatively, on several sides for customized mounting
- ⑦ **Position sensing**
  - integrated Hallsensor
- ⑧ **Integrated valve technology**
  - Activation of the gripper by means of a compressed air supply
- ⑨ **Integrated control module**
  - Single-cable solution via IO-Link
  - Pressure, temperature, position and other parameters are readable

## ► TECHNICAL DATA

| Installation size | Stroke per jaw [mm] | Gripping force [N] | Weight [kg] | IP class |
|-------------------|---------------------|--------------------|-------------|----------|
| GPD5006IL         | 3 - 6               | 740 - 2370         | 0,75 - 0,85 | IP64     |
| GPD5008IL         | 4 - 8               | 1260 - 3910        | 1,25 - 1,45 | IP64     |
| GPD5010IL         | 5 - 10              | 2290 - 7160        | 2,1 - 2,5   | IP64     |
| GPD5013IL         | 6 - 13              | 3770 - 11450       | 4,4 - 5,3   | IP64     |
| GPD5016IL         | 8 - 16              | 6870 - 20330       | 8,3 - 9,8   | IP64     |
| GPD5025IL         | 14 - 25             | 8430 - 22850       | 14,9 - 18,6 | IP64     |

## ► FURTHER INFORMATION IS AVAILABLE ONLINE



All information just a click away at: [www.zimmer-group.com](http://www.zimmer-group.com). Find data, illustrations, 3D models and operating instructions for your installation size using the order number for your desired product. Quick, clear and always up-to-date.

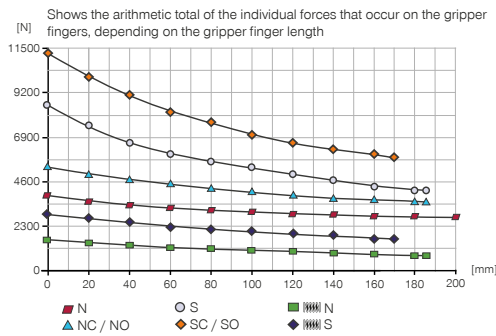
# 3-JAW CONCENTRIC GRIPPERS

## INSTALLATION SIZE GPD5013IL

### ▶ PRODUCT SPECIFICATIONS

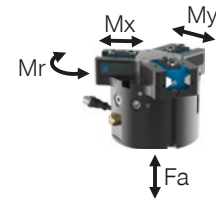


#### ▶ Gripping force diagram



#### ▶ Forces and moments

Displays static forces and moments that can also have an effect, besides the gripping force.



|         |      |
|---------|------|
| Mr [Nm] | 110  |
| Mx [Nm] | 150  |
| My [Nm] | 130  |
| Fa [N]  | 3300 |

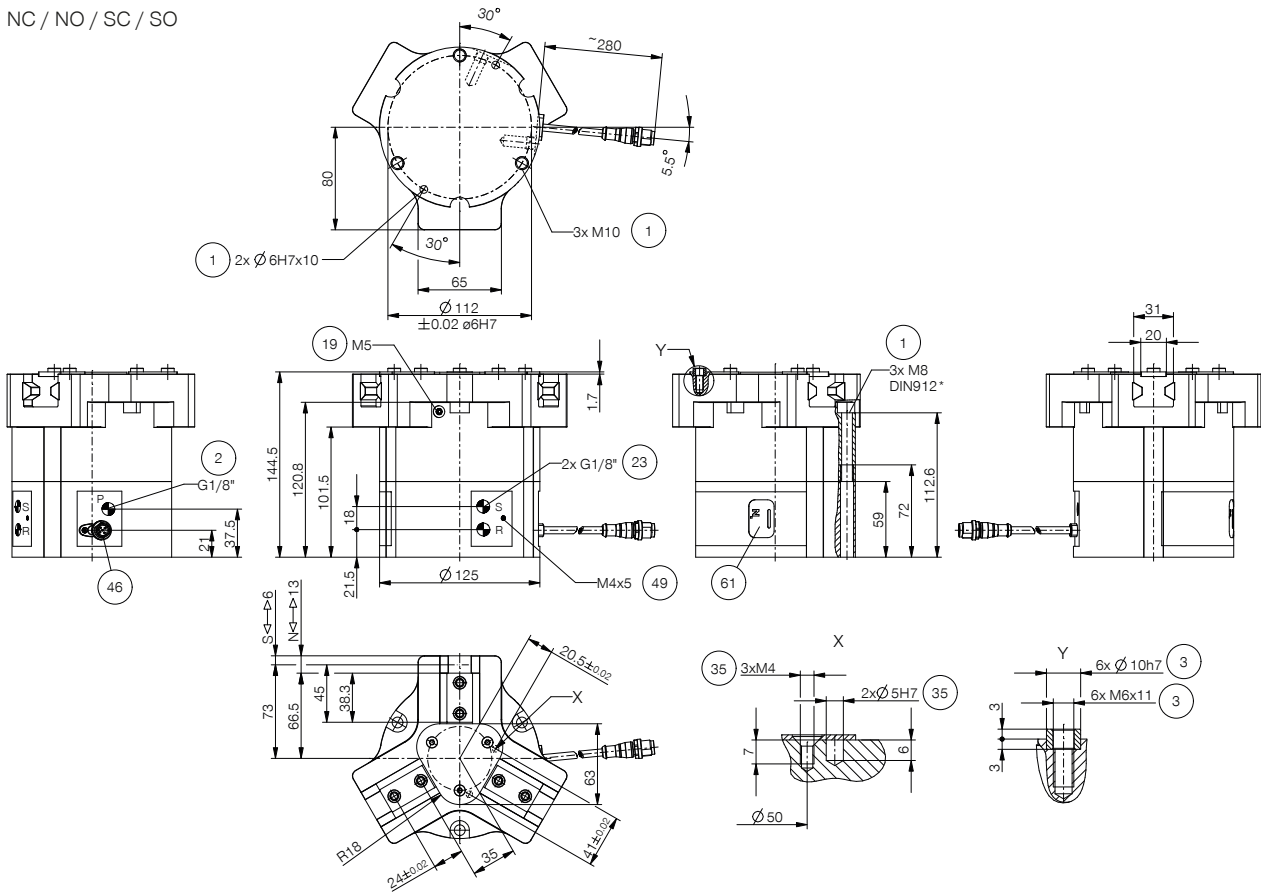
### ▶ TECHNICAL DATA

#### ▶ Technical data

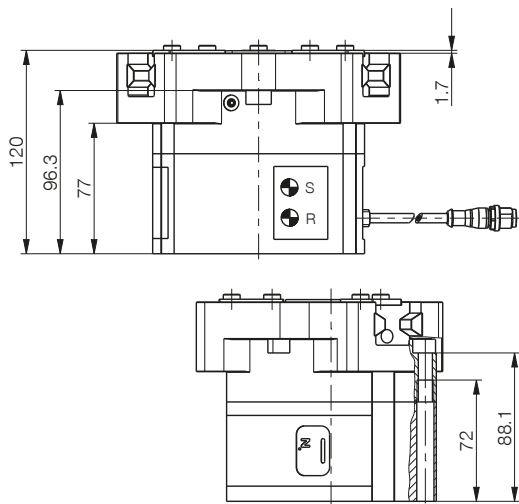
| Order no.                                       | GPD5013N-IL-10-A | GPD5013NC-IL-10-A | GPD5013NO-IL-10-A | GPD5013S-IL-10-A | GPD5013SC-IL-10-A | GPD5013SO-IL-10-A |
|---|------------------|-------------------|-------------------|------------------|-------------------|-------------------|
| Control   | IO-Link          | IO-Link           | IO-Link           | IO-Link          | IO-Link           | IO-Link           |
| Stroke per jaw [mm]                             | 13               | 13                | 13                | 6                | 6                 | 6                 |
| Gripping force in closing [N]                   | 3770             | 5060              |                   | 8310             | 11160             |                   |
| Gripping force in opening [N]                   | 3910             |                   | 5200              | 8600             |                   | 11450             |
| Gripping force secured by spring min. [N]       |                  | 1290              | 1290              |                  | 2850              | 2850              |
| Cycle count max. [cycle/min]                    | 210              | 150               | 150               | 210              | 150               | 150               |
| Dead weight of mounted gripper finger max. [kg] | 2.4              | 2.4               | 2.4               | 2.4              | 2.4               | 2.4               |
| Length of the gripper fingers max. [mm]         | 200              | 185               | 185               | 185              | 170               | 170               |
| Repetition accuracy +/- [mm]                    | 0.01             | 0.01              | 0.01              | 0.01             | 0.01              | 0.01              |
| Operating pressure min. [bar]                   | 3                | 4                 | 4                 | 3                | 4                 | 4                 |
| Operating pressure max. [bar]                   | 8                | 7                 | 7                 | 8                | 7                 | 7                 |
| Nominal operating pressure [bar]                | 6                | 6                 | 6                 | 6                | 6                 | 6                 |
| Operating temperature [°C]                      | +5 ... +50       | +5 ... +50        | +5 ... +50        | +5 ... +50       | +5 ... +50        | +5 ... +50        |
| Air volume per cycle [cm³]                      | 230              | 415               | 415               | 230              | 415               | 415               |
| Integrated valve technology                     | Yes              | Yes               | Yes               | Yes              | Yes               | Yes               |
| Integrated position sensing                     | Yes              | Yes               | Yes               | Yes              | Yes               | Yes               |
| Voltage [V]                                     | 24               | 24                | 24                | 24               | 24                | 24                |
| Current consumption max. [A]                    | 0.12             | 0.12              | 0.12              | 0.12             | 0.12              | 0.12              |
| Protection to IEC 60529                         | IP64             | IP64              | IP64              | IP64             | IP64              | IP64              |
| Weight [kg]                                     | 4.6              | 5.4               | 5.4               | 4.7              | 5.5               | 5.5               |

## ▶ TECHNICAL DRAWINGS

NC / NO / SC / SO



N / S



- ① Gripper attachment
- ② Energy supply
- ③ Fixing for gripper finger
- ⑱ Air purge connection option
- ⑲ Ventilation (R+S: In dirty environments, replace filters with actual exhaust hoses and move the exhaust air outlet to a clean environment)
- ⑳ Attachment option for customer-specific fittings
- ⑼ Energy supply IO-Link (M12, 5-pole)
- ⑽ Ground
- ⑾ Status display



# 3-JAW CONCENTRIC GRIPPERS

## INSTALLATION SIZE GPD5013IL

### ▶ ACCESORIES



### ▶ INCLUDED IN DELIVERY



6 [piece]  
Centering Disc

018187



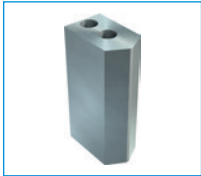
2 [piece]  
Filters

CFILT00011

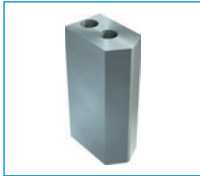
## ▶ RECOMMENDED ACCESSORIES



### GRIPPING COMPONENTS



**UB5013AL**  
Universal jaw aluminium



**UB5013ST**  
Universal jaw steel



**EB5013AL**  
Aluminum adjustment jaw



**EB5013ST**  
Steel adjustment jaw



**WB5013L**  
Changeable jaw, loose-part-set



**WB5013F**  
Changeable jaw, fix-part



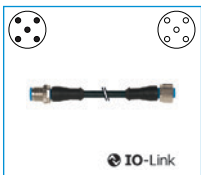
### ENERGY SUPPLY



**GV1-8X8**  
Straight Fittings - Quick Connect Style



### CONNECTIONS / OTHER



**KAG500IL**  
Plug-in connector straight  
5 m - plug, socket M12



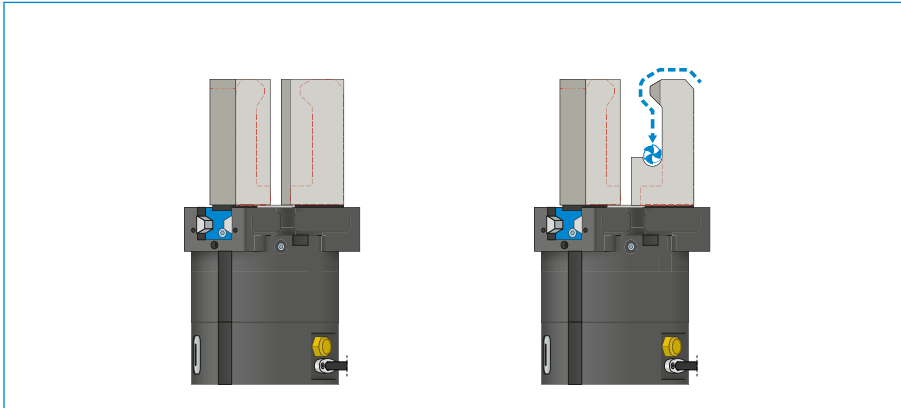
**SCM-C-00-00-A**  
Smart Communication  
Module

# 3-JAW CONCENTRIC GRIPPERS

## SERIES GPD5000IL FUNCTIONAL DESCRIPTION



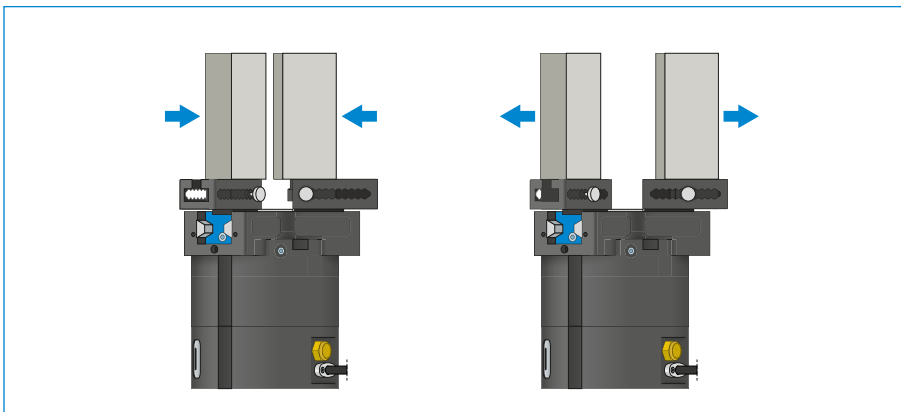
### GRIPPING COMPONENTS



#### Universal jaws – UB5000

Can be used immediately or for individual reprocessing

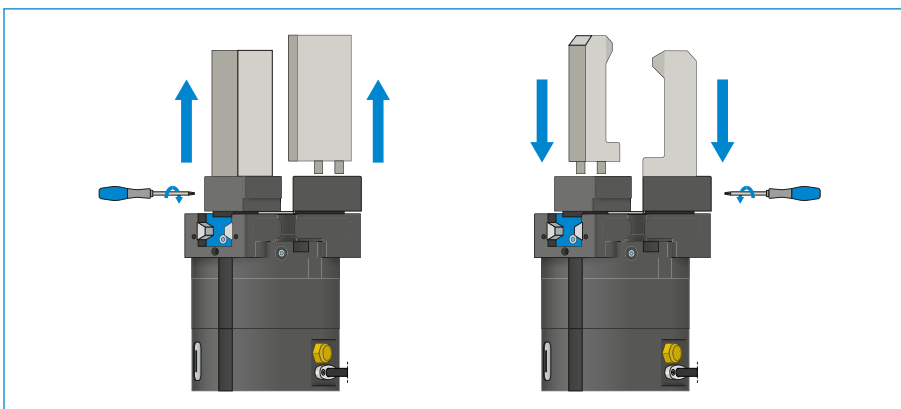
The gripper blanks are available in aluminum (AL) and steel (ST) versions and are installed directly on the gripper using the screws in the scope of delivery. The fits for the centering sleeves are already in place for this purpose. One universal jaw is required for each gripper jaw.



#### Adjustment jaws – EB5000

For tool-free adaptation of the gripper range

By manually activating the locking mechanism, which is pre-tensioned by a spring, the adjustment jaw can be moved within a grid of detent notches that has a number scale. Depending on the forces and torques that apply, the adjustment jaws are available in aluminum (AL) and steel (ST) versions. One adjustment jaw is required for each gripper jaw.



#### Interchangeable jaws – WB5000

Enable fast change of individual gripper fingers

For each gripper jaw, a fixed part and at least one loose part set is needed, depending on the number of gripper fingers to be changed. Manual locking via the Torx wrench included in the scope of delivery of the fixed part can take place from two sides.



### THE GRIPPING COMPONENTS CAN BE COMBINED!

The gripper components listed above can be combined with each other and are compatible with the various series of the 5000 gripper family.



## ENERGY SUPPLY



### Pneumatic threaded connections

Available in straight and angled design. Can be chosen freely depending on the space conditions or installation situation.



### Pressure safety valve – DSV

The throttle check valve integrated into the supply air line retains the system pressure in case of EMERGENCY STOP. To ensure the function, the valve must be installed as close to the gripper's air connection as possible. Control voltage and actuator voltage must be maintained for this purpose.

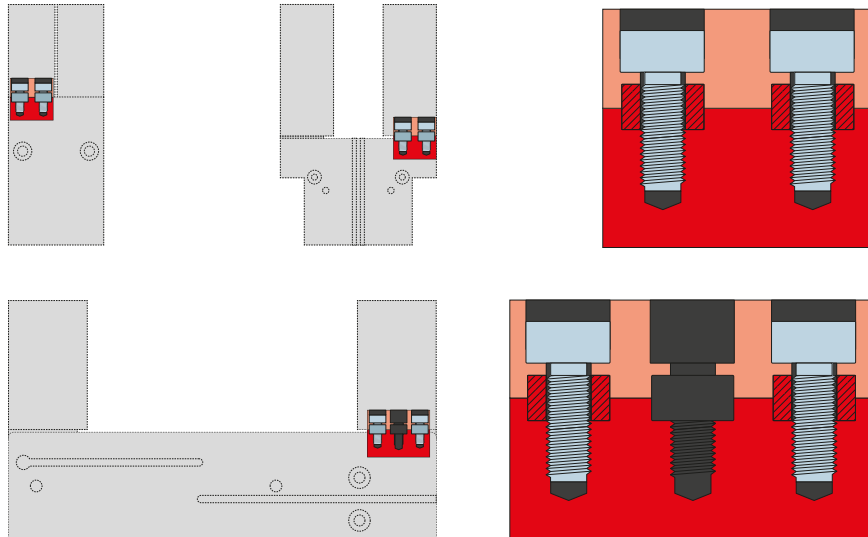


# 3-JAW CONCENTRIC GRIPPERS

## SERIES GPD5000IL FUNCTIONAL DESCRIPTION



### CONNECTIONS / OTHER



#### Centering sleeves

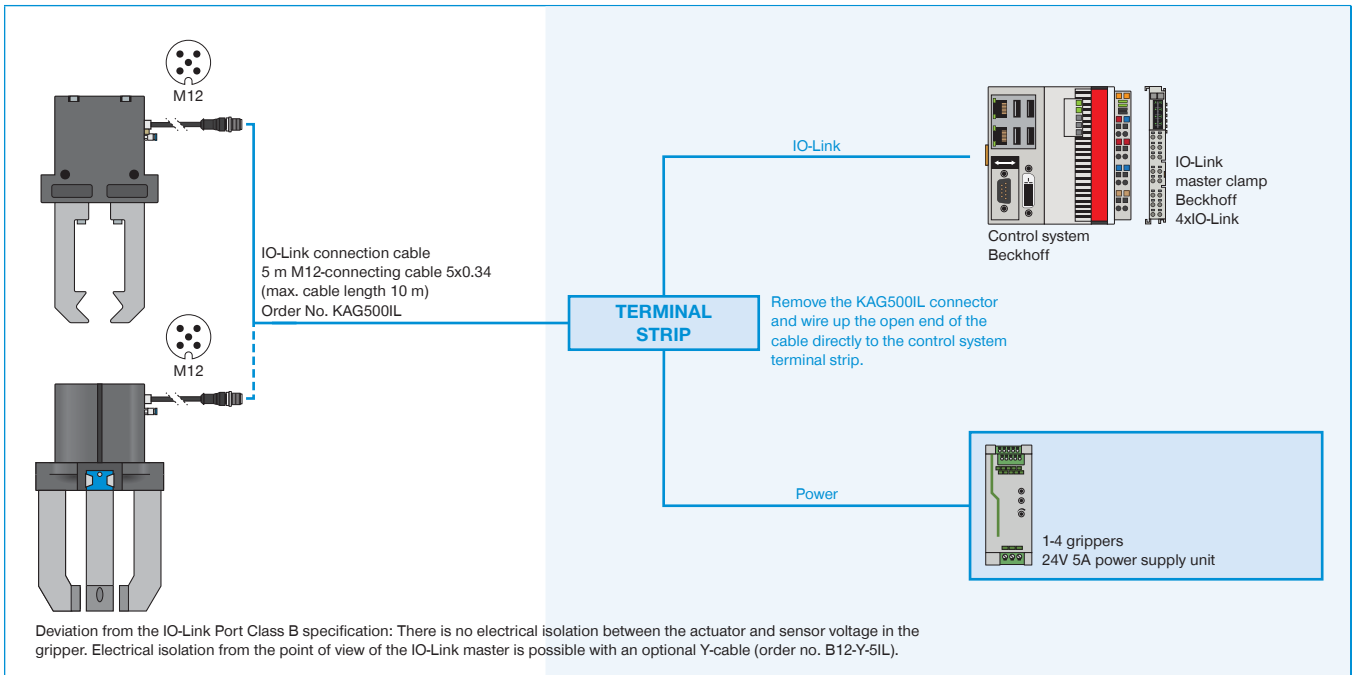
For defined position measurement of the gripper fingers

The centering sleeves are inserted into the fits of the gripper jaws to define the position of the gripper fingers. The centering sleeves are comparable to a pin connection.

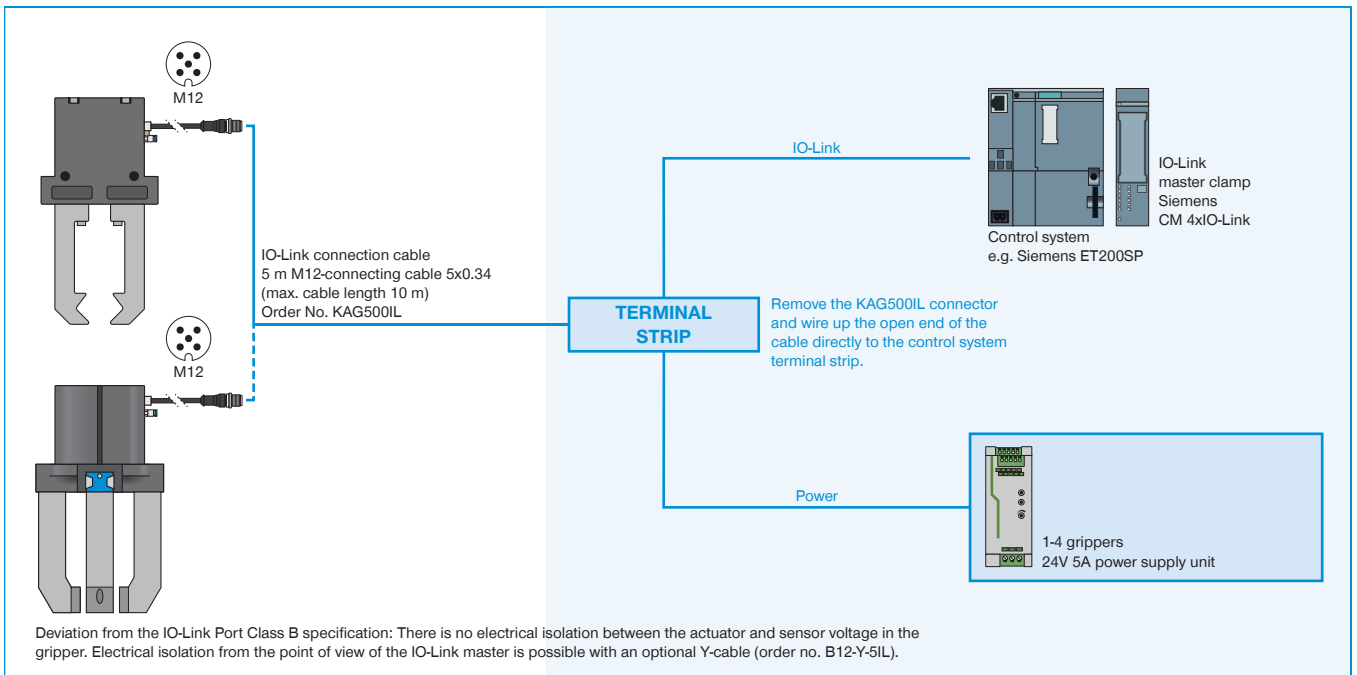
# SECURED CONFIGURATION EXAMPLES

## GPP5000IL / GPD5000IL SERIES

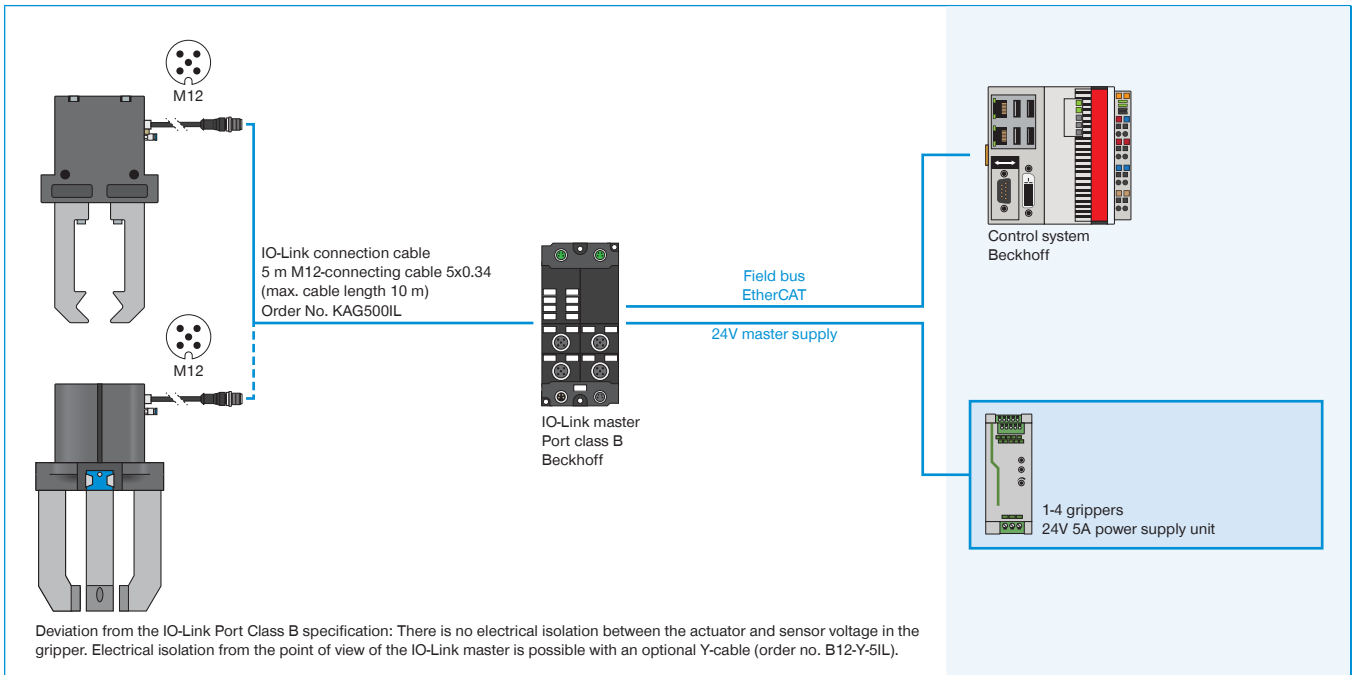
### ▶ GPP5000IL / GPD5000IL (IO-LINK) WIRING TO CONTROL CABINET (BECKHOFF)



### ▶ GPP5000IL / GPD5000IL (IO-LINK) WIRING TO CONTROL CABINET (SIEMENS)



▶ GPP5000IL / GPD5000IL (IO-LINK) WIRING TO IO-LINK MASTER IP67 (BECKHOFF)



▶ GPP5000IL / GPD5000IL (IO-LINK) WIRING TO IO-LINK MASTER IP67 (SIEMENS)

