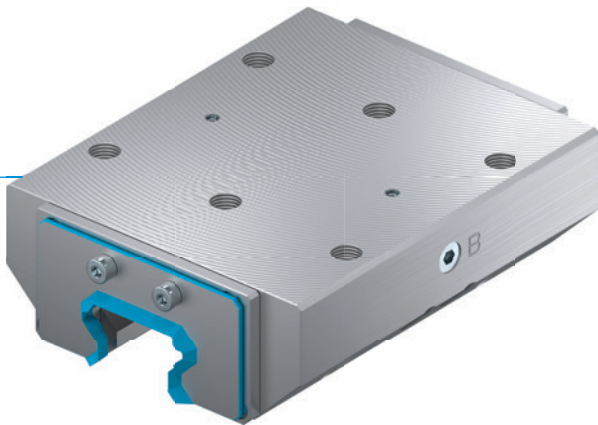


CLAMPING ELEMENTS | HYDRAULIC SERIES KWH

▶ PRODUCT ADVANTAGES



- ▶ **broad range of products**
For all common profile rail guides
- ▶ **Energize to close (NO)**
Closing with pressure
- ▶ **extremely durable**
Up to 10 million static clamping cycles

▶ THE BEST PRODUCT FOR YOUR APPLICATION

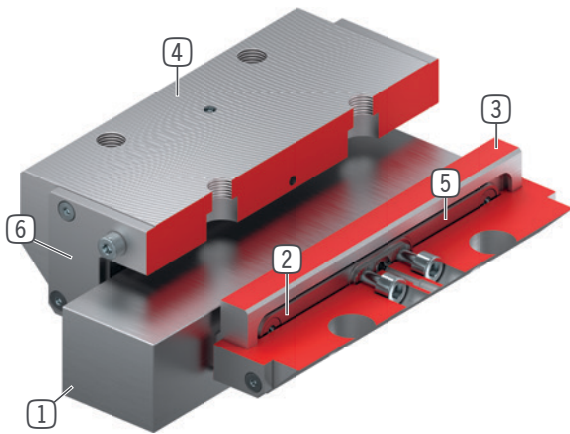
APPLICATION SCENARIOS

- ▶ **Machine table clamping of heavy cutting work centres**
- ▶ **Clamping of heavy handling systems**

FURTHER INFORMATION

- ▶ **Spacer plate**
In addition, a spacer plate might have to be ordered as height compensation, depending on the height of the rail carriage (dimension D).
- ▶ **Special variants on request, e.g.**
With additional hydraulic connection (from above, from the front)

► BENEFITS IN DETAIL



- ① **Profile rail guide**
- Available for all common profile rail guides
- ② **Return spring**
- Interlocked integration in the jaws
- ③ **Clamping jaw**
- Pressed at the free surfaces of the profile rail guide
- ④ **Housing**
- ⑤ **Membran**
- For pressurization
- ⑥ **Scraper**
- Can also be ordered as an option

► INFORMATION ON THE SERIES

Series	► Technical data
	KWH
Rail size	25-65 mm
Holding force	1600-46000 N
Nominal operating pressure	100/150 [bar]
Operating pressure max.	110/160 [bar]
Spring storage	inexistent
PLUS connection	No
B10d value	up to 10 million
Dynamic braking cycles	not suitable
Operation	hydraulic
Operating temperature	-10 ... +70 [°C]