

CLAMPING AND BRAKING ELEMENTS | PNEUMATIC SERIES LBPS

▶ PRODUCT ADVANTAGES



- ▶ **broad range of products**
For all common profile rail guides
- ▶ **Safety element, energize to open (NC)**
Safe braking in case of energy failure, through spring-loaded energy storage
- ▶ **high durability**
Up to 5 million static clamping cycles
- ▶ **Small and narrow design**
By using U-form piston
- ▶ **Maximum flexibility**
Additional air connection from above
- ▶ **Simple status sensing**
Querying the piston position with magnetic field sensor

▶ THE BEST PRODUCT FOR YOUR APPLICATION

APPLICATION SCENARIOS

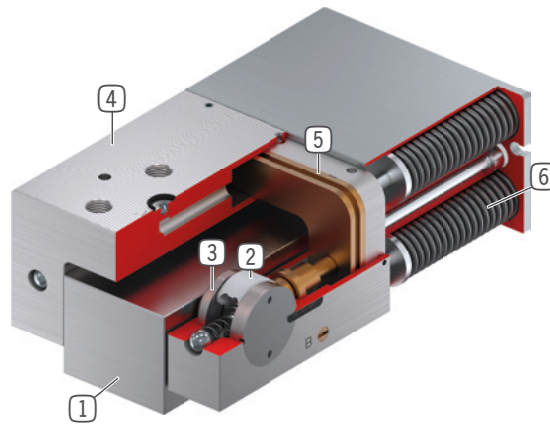
- ▶ **Clamping in case of pressure drop**
- ▶ **Braking linear motors**
- ▶ **Clamping without energy requirement**

FURTHER INFORMATION

- ▶ **Spacer plate**
In addition, a spacer plate might have to be ordered as height compensation, depending on the height of the rail carriage (dimension D).
- ▶ **Special variants on request, e.g.**
With low opening pressure (3.0 bar)

► BENEFITS IN DETAIL

- 1 Profile rail guide**
- Available for all common profile rail guides
- 2 Wedge-type gear**
- Power transmission between the pistons and clamping jaws and brake shoes
- 3 Clamping jaws and brake shoes**
- Pressed at the free surfaces of the profile rail guide
- 4 Narrow housing**
- 5 Pneumatic piston**
- The piston moves the wedge-type gear longitudinally
- 6 Spring-loaded energy storage**
- For non-pressurized closing of the clamping unit



► INFORMATION ON THE SERIES

TECHNICAL DATA

Rail size	15-55 mm
Holding force	400-4500 N
Pressure min. / max.	5.5 / 6.5
Spring storage	existing
PLUS connection	No
B10d value	up to 5 million
Dynamic braking cycles	up to 500
Operation	pneumatic
Operating temperature	-10 ... +70 [°C]

CLAMPING AND BRAKING ELEMENTS | PNEUMATIC SERIES LBPS

▶ PRODUCT ADVANTAGES



- ▶ **broad range of products**
For all common profile rail guides
- ▶ **Safety element, energize to open (NC)**
Safe braking in case of energy failure, through spring-loaded energy storage
- ▶ **high durability**
Up to 5 million static clamping cycles
- ▶ **Small and narrow design**
By using U-form piston
- ▶ **Maximum flexibility**
Additional air connection from above
- ▶ **Simple status sensing**
Querying the piston position with magnetic field sensor

▶ THE BEST PRODUCT FOR YOUR APPLICATION

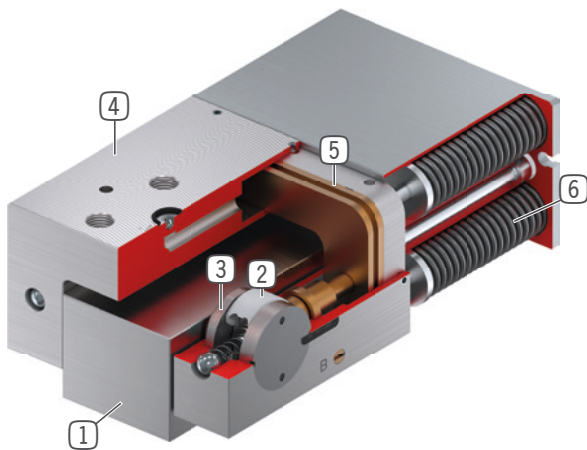
APPLICATION SCENARIOS

- ▶ **Clamping in case of pressure drop**
- ▶ **Braking linear motors**
- ▶ **Clamping without energy requirement**

FURTHER INFORMATION

- ▶ **Spacer plate**
In addition, a spacer plate might have to be ordered as height compensation, depending on the height of the rail carriage (dimension D).
- ▶ **Special variants on request, e.g.**
With low opening pressure (3.0 bar)

► BENEFITS IN DETAIL



- ① **Profile rail guide**
 - Available for all common profile rail guides
- ② **Wedge-type gear**
 - Power transmission between the pistons and clamping jaws and brake shoes
- ③ **Clamping jaws and brake shoes**
 - Pressed at the free surfaces of the profile rail guide
- ④ **Narrow housing**
- ⑤ **Pneumatic piston**
 - The piston moves the wedge-type gear longitudinally
- ⑥ **Spring-loaded energy storage**
 - For non-pressurized closing of the clamping unit

► INFORMATION ON THE SERIES

Series	► Technical data	
	LBPS	LBPS-LP
Rail size	15-55 mm	15-55 mm
Holding force	400-4500 N	300-1800 N
Pressure min. / max.	5.5 / 6.5	4 / 6.5
Spring storage	existing	existing
PLUS connection	No	No
B10d value	up to 5 million	up to 5 million
Dynamic braking cycles	up to 500	up to 500
Operation	pneumatic	pneumatic
Operating temperature	-10 ... +70 [°C]	-10 ... +70 [°C]