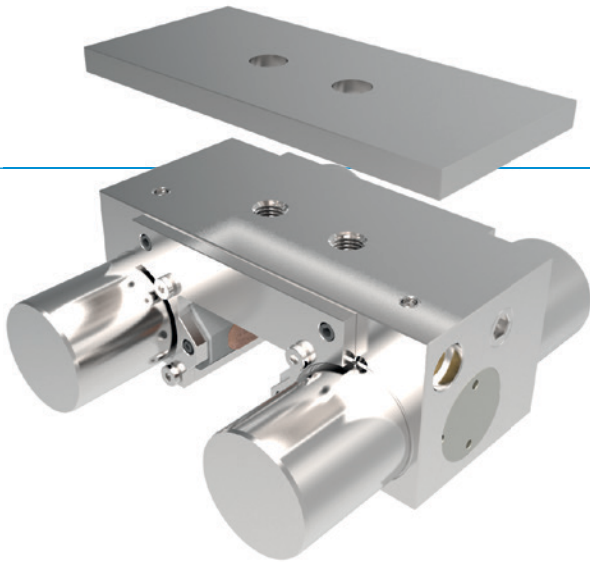


# CLAMPING AND BRAKING ELEMENTS | PNEUMATIC SERIES MBPS

## ▶ PRODUCT ADVANTAGES



- ▶ **broad range of products**  
For all common profile rail guides
- ▶ **Energize to open (NC)**  
through spring-loaded energy storage
- ▶ **high durability**  
Up to 5 million static clamping cycles
- ▶ **Safety element**  
Safe braking in case of energy failure

## ▶ THE BEST PRODUCT FOR YOUR APPLICATION

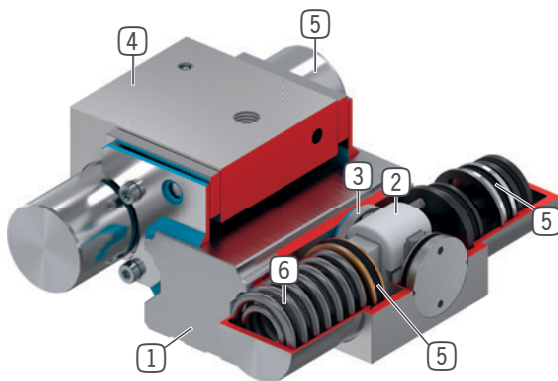
### APPLICATION SCENARIOS

- ▶ **Clamping in case of pressure drop**
- ▶ **Emergency OFF function**
- ▶ **Braking linear motors**

### FURTHER INFORMATION

- ▶ **Spacer plate**  
In addition, a spacer plate might have to be ordered as height compensation, depending on the height of the rail carriage (dimension D).
- ▶ **Special variants on request, e.g.**
  - With proximity switch monitoring
  - With low opening pressure (3.0 bar)
  - With additional air connection (from above, from the front)

## ► BENEFITS IN DETAIL



- ① **Profile rail guide**  
- Available for all common profile rail guides
- ② **Wedge-type gear**  
- Power transmission between the pistons and clamping jaws and brake shoes
- ③ **Clamping jaws and brake shoes**  
- Pressed at the free surfaces of the profile rail guide
- ④ **Housing**
- ⑤ **Pneumatic piston**  
- The piston moves the wedge-type gear longitudinally
- ⑥ **Spring-loaded energy storage**  
- For non-pressurized closing of the clamping unit

## ► INFORMATION ON THE SERIES

Series	► Technical data
	<b>MBPS</b>
Rail size	15-55 mm
Holding force	750-4700 N
Pressure min. / max.	4.5 / 6.5
Spring storage	existing
PLUS connection	No
B10d value	up to 5 million
Dynamic braking cycles	up to 2000
Operation	pneumatic
Operating temperature	-10 ... +70 [°C]