

CLAMPING ELEMENTS | PNEUMATIC SERIES MCPS

▶ PRODUCT ADVANTAGES



- ▶ **small construction**
For all common miniature profile rail guides
- ▶ **Energize to open (NC)**
through spring-loaded energy storage
- ▶ **high durability**
Up to 5 million static clamping cycles
- ▶ **Higher holding force**
Via activation with PLUS air
- ▶ **Safety element**
Safe clamping in case of energy failure

▶ THE BEST PRODUCT FOR YOUR APPLICATION

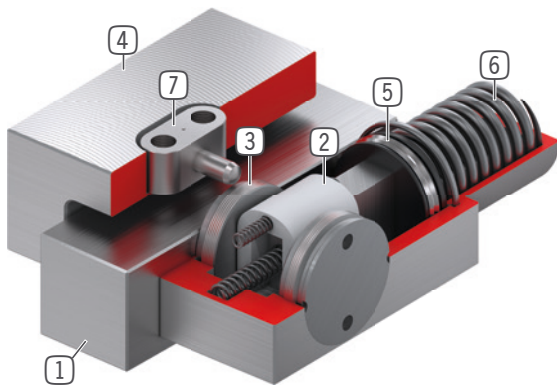
APPLICATION SCENARIOS

- ▶ **Clamping in case of pressure drop**
- ▶ **Clamping without energy requirement**

FURTHER INFORMATION

- ▶ **Special variants on request, e.g.**
 - With low opening pressure (3.0 bar)
 - With additional air connection (from above, from the front)
 - made of stainless steel

► BENEFITS IN DETAIL



- ① **Miniature profile rail guide**
- Available for all common miniature profile rail guides
- ② **Wedge-type gear**
- Power transmission between piston and clamping jaw
- ③ **Clamping jaw**
- Pressed at the free surfaces of the profile rail guide
- ④ **Housing**
- ⑤ **Pneumatic piston**
- The piston moves the wedge-type gear longitudinally
- ⑥ **Spring-loaded energy storage**
- For non-pressurized closing of the clamping unit
- ⑦ **Sliding block**
- For floating bearings

► INFORMATION ON THE SERIES

Series	► Technical data	
	MCPS	MCPS-LP
Rail size	5-25 mm	5-25 mm
Holding force	80-700 N	80-300 N
Pressure min. / max.	5.5 / 6.5	4 / 6.5
Spring storage	existing	existing
PLUS connection	Yes	Yes
B10d value	up to 5 million	up to 5 million
Dynamic braking cycles	not suitable	not suitable
Operation	pneumatic	pneumatic
Operating temperature	-10 ... +70 [°C]	-10 ... +70 [°C]