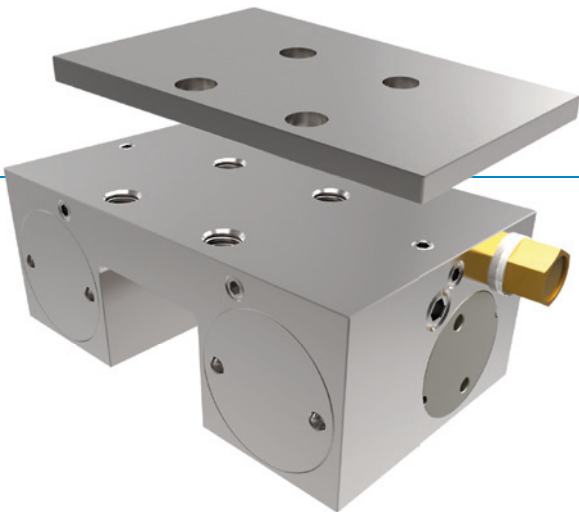


# CLAMPING ELEMENTS | PNEUMATIC SERIES MK

## ▶ PRODUCT ADVANTAGES



- ▶ **broad range of products**  
For all common profile rail guides
- ▶ **Energize to close (NO)**  
Closing with pressure
- ▶ **high durability**  
Up to 5 million static clamping cycles

## ▶ THE BEST PRODUCT FOR YOUR APPLICATION

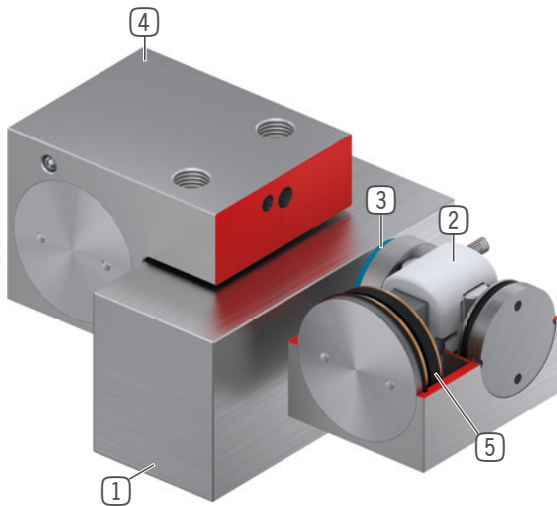
### APPLICATION SCENARIOS

- ▶ **Positioning of axes**
- ▶ **Fixing of vertical axes**
- ▶ **Positioning of lifting units**

### FURTHER INFORMATION

- ▶ **Spacer plate**  
In addition, a spacer plate might have to be ordered as height compensation, depending on the height of the rail carriage (dimension D).
- ▶ **Special variants on request, e.g.**  
With proximity switch monitoring  
With additional air connection (from above, from the front)  
made of stainless steel

## ► BENEFITS IN DETAIL



- ① **Profile rail guide**  
- Available for all common profile rail guides
- ② **Wedge-type gear**  
- Power transmission between piston and clamping jaw
- ③ **Clamping jaw**  
- Pressed at the free surfaces of the profile rail guide
- ④ **Housing**
- ⑤ **Pneumatic piston**  
- The piston moves the wedge-type gear longitudinally

## ► INFORMATION ON THE SERIES

Series	► Technical data
	<b>MK</b>
Rail size	12-65 mm
Holding force	350-2250 N
Pressure min. / max.	3 / 6.5
Spring storage	inexistent
PLUS connection	No
B10d value	up to 5 million
Dynamic braking cycles	not suitable
Operation	pneumatic
Operating temperature	-10 ... +70 [°C]