

# SUCTION CUPS

## SERIES OV / SR/SK

1

### ► SERIES OV - SUCTION CUPS OVAL



#### ► Range of applications

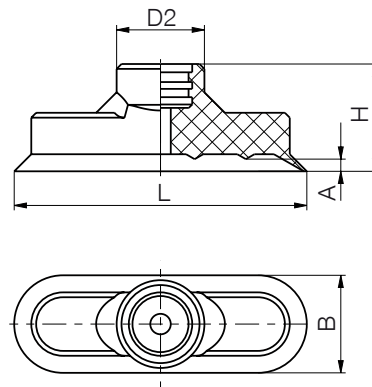
Long, narrow and slightly uneven surfaces

#### ► Special features

Depending on type, metallic base plate

Flexible seal lips

Ear clamp to prevent rotation, supplied with product



#### ► Technical Data

Versions	Material	Color	Heat Resistant	Shore hardness	Add to part no.
Standard	Nitrile rubber	black	-20° C - +110° C	65 +/- 3	-
Antistatic	Nitrile rubber	black	-20° C - +110° C	65 +/- 3	NA (e.g. OV3x10NA)
Heat-resistant	Caoutchouc silicone	blue	-55° C bis +180° C	60 +/- 5	SI (e.g. OV3x10SI)
Food-handling	Caoutchouc silicone	white	-55° C bis +180° C	60 +/- 5	L (e.g. OV3x10L)
Antistatic	Caoutchouc silicone	black	-20° C bis +150° C	55 +/- 5	SA (e.g. OV3x10SA)
Low-wear	Polyurethan	red	-20° C bis +150° C	82 +/- 5	on request

#### ► Technical Data

Order no.	OV3-10	OV5-15	OV6-18	OV8-24	OV10-30	OV12-36
Vacuum force theoretical [N]*	2	5	6	12	16	29
Volume [cm³]	0.2	0.2	0.3	0.4	0.6	0.8
Connection type	1	1	1	1	1	1
Dimension A [mm]	0.4	0.6	1	1.6	1.2	1
Dimension B [mm]	3	5	6	8	10	12
Dimension D2 [mm]	9.5	8.5	8.5	12.3	12	12.5
Dimension H [mm]	12	12	12	12	12	12
Dimension L [mm]	10	15	18	24	30	36

#### ► Technical Data

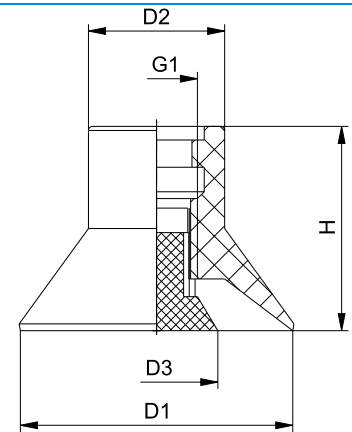
Order no.	OV15-45	OV20-60	OV25-75	OV28-85	OV35-100
Vacuum force theoretical [N]*	45	82	125	161	240
Volume [cm³]	2.3	3.4	5.6	8.1	11.8
Connection type	2	2	2	2	2
Dimension A [mm]	2	2.5	3	3	3
Dimension B [mm]	15	20	25	28	35
Dimension D2 [mm]	16.5	18	18	18	19
Dimension H [mm]	22	22	22	22	22
Dimension L [mm]	45	60	75	85	100

\*at 0.8 bar Vacuum

► **SERIES SR/SK - TORUS VACUUM CUP**



- **Range of applications**  
Even, slightly curved and open surfaces
- **Special features**  
Inner core allows suction to act on perforated surfaces  
Recommended perforation diameter max. 70% of inner core



Versions	Material	Color	Heat Resistant	Shore hardness	Add to part no.
Standard	Nitrile rubber	black	-20° C - +110° C	65 +/- 3	-
Antistatic	Nitrile rubber	black	-20° C - +110° C	65 +/- 3	NA (e.g. SR12NA+SK6NA)
Heat-resistant	Caoutchouc silicone	blue	-55° C bis +180° C	60 +/- 5	SI (e.g. SR12SI+SK6SI)
Food-handling	Caoutchouc silicone	white	-55° C bis +180° C	60 +/- 5	L (e.g. SR12L+SK6L)
Antistatic	Caoutchouc silicone	black	-20° C bis +150° C	55 +/- 5	SA (e.g. SR12SA+SK6SA)
Low-wear	Polyurethan	red	-20° C bis +150° C	82 +/- 5	on request

Order no.	► Technical Data						
	SR12+SK6	SR12+SK9	SR15+SK6	SR15+SK9	SR20+SK6	SR20+SK9	SR20+SK13
Vacuum force theoretical [N]*	7	4	12	9	23	20	15
Volume [cm³]	3	2.6	4.6	4.2	7.7	7.2	5.9
Connection type	1	1	1	1	1	1	1
G1	M6	M6	M6	M6	M6	M6	M6
Dimension D1 [mm]	12	12	15	15	20	20	20
Dimension D2 [mm]	10	10	10	10	10	10	10
Dimension D3 [mm]	6	9	6	9	6	9	13
Dimension H [mm]	15	15	15	15	15	15	15

Order no.	► Technical Data						
	SR25+SK11	SR25+SK19	SR30+SK11	SR30+SK19	SR35+SK11	SR35+SK19	SR35+SK25
Vacuum force theoretical [N]*	30	15	49	34	69	54	37
Volume [cm³]	19.6	16.4	24.0	20.8	34	31	25
Connection type	2	2	2	2	2	2	2
G1	M8	M8	M8	M8	M8	M8	M8
Dimension D1 [mm]	25	25	30	30	35	35	35
Dimension D2 [mm]	18	18	19	19	19	19	19
Dimension D3 [mm]	11	19	11	19	11	19	25
Dimension H [mm]	22	22	22	22	22	22	22

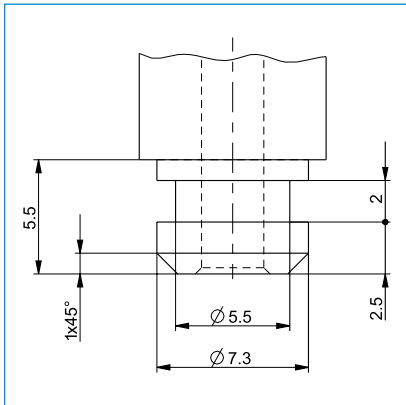
Order no.	► Technical Data					
	SR40+SK11	SR40+SK19	SR40+SK25	SR50+SK11	SR50+SK19	SR50+SK25
Vacuum force theoretical [N]*	93	76	61	143	128	112
Volume [cm³]	45	41	36	71	68	63
Connection type	2	2	2	2	2	2
G1	M8	M8	M8	M8	M8	M8
Dimension D1 [mm]	25	25	30	30	35	35
Dimension D2 [mm]	18	18	19	19	19	19
Dimension D3 [mm]	11	19	25	19	19	25
Dimension H [mm]	22	22	22	22	22	22

\*at 0.8 bar Vacuum

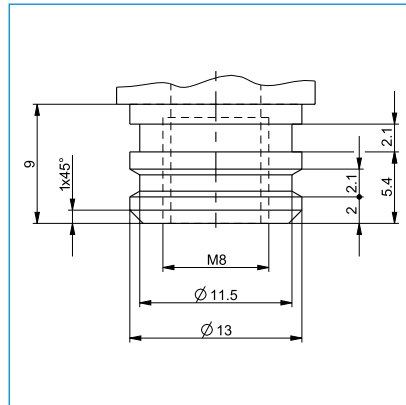
# SUCTION CUPS

## CONNECTION TYPES

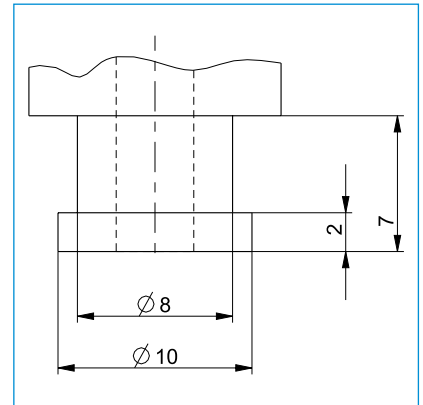
Suction Cups, Adapters and Compensation Modules with the same connection type can be variably combined. Dimensions of each connection type can be taken from drawings given below.



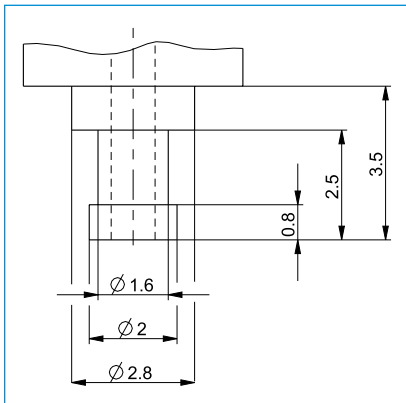
■ Connection type 1



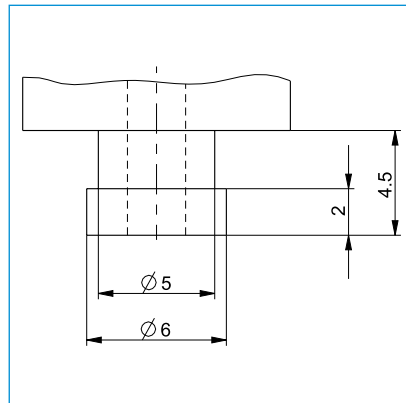
■ Connection type 2



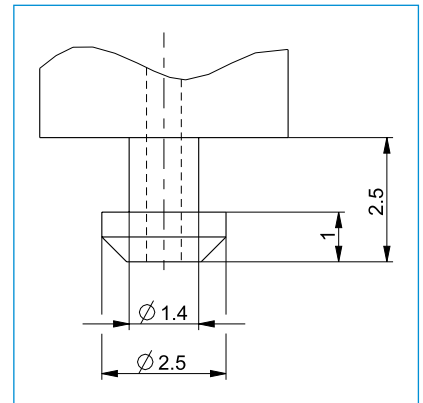
■ Connection type 3



■ Connection type 4



■ Connection type 5



■ Connection type 6