

SUCTION CUPS

SERIES SF / SFO

1

► SERIES SF - BELLOWS CUP



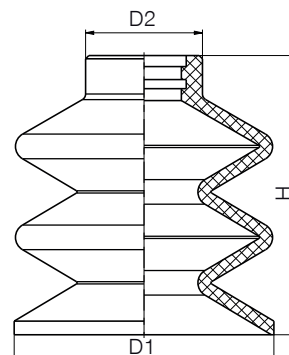
► Range of applications

Slightly curved, inclined and uneven surfaces

► Special features

Compensates differences in height

The suction process creates a lifting effect



Versions	Material	Color	Heat Resistant	Shore hardness	Add to part no.
Standard	Nitrile rubber	black	-20° C - +110° C	65 +/- 3	-
Antistatic	Nitrile rubber	black	-20° C - +110° C	65 +/- 3	NA (e.g. SF10NA)
Heat-resistant	Caoutchouc silicone	blue	-55° C bis +180° C	60 +/- 5	SI (e.g. SF10SI)
Food-handling	Caoutchouc silicone	white	-55° C bis +180° C	60 +/- 5	L (e.g. SF10L)
Antistatic	Caoutchouc silicone	black	-20° C bis +150° C	55 +/- 5	SA (e.g. SF10SA)
Low-wear	Polyurethan	red	-20° C bis +150° C	82 +/- 5	on request

Order no.	► Technical Data					
	SF10	SF15	SF18	SF24	SF30	SF40
Vacuum force theoretical [N]*	6	12	20	35	55	97
Lifting force [N]	2.2	4	6	9.5	13	25
Volume [cm³]	0.5	1.1	1.8	4.5	8.9	19.5
Connection type	1	1	1	2	2	2
Dimension D1 [mm]	10	15	18	24	30	40
Dimension D2 [mm]	10	10.2	12	16.5	17	18
Dimension H min. [mm]	10	10	11	18	22	27
Dimension H max. [mm]	14	15.5	18.7	26	35	43

Order no.	► Technical Data		
	SF50	SF60	SF85
Vacuum force theoretical [N]*	157	225	443
Lifting force [N]	42	54	90
Volume [cm³]	32	62	166
Connection type	2	2	2
Dimension D1 [mm]	50	60	85
Dimension D2 [mm]	20	20	24.5
Dimension H min. [mm]	30	35	50
Dimension H max. [mm]	48	58	76

*at 0.8 bar Vacuum

► SERIES SFO - BELLOWS CUP OVAL



► Range of applications

Long, narrow and slightly uneven surfaces

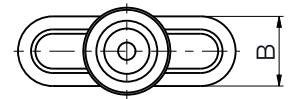
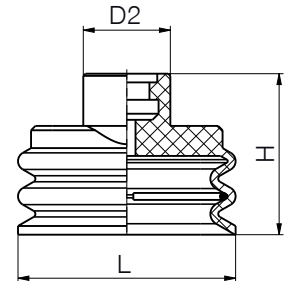
► Special features

Compensates differences in height

The suction process creates a lifting effect

Ear clamp to prevent rotation, supplied with product

Internal stainless steel spring to stabilize and maintain shape of suction cup



► Technical Data

Versions	Material	Color	Heat Resistant	Shore hardness	Add to part no.
Standard	Nitrile rubber	black	-20° C - +110° C	65 +/- 3	-
Antistatic	Nitrile rubber	black	-20° C - +110° C	65 +/- 3	NA (e.g. SFO8-25NA)
Heat-resistant	Caoutchouc silicone	blue	-55° C bis +180° C	60 +/- 5	SI (e.g. SFO8-25SI)
Food-handling	Caoutchouc silicone	white	-55° C bis +180° C	60 +/- 5	L (e.g. SFO8-25L)
Antistatic	Caoutchouc silicone	black	-20° C bis +150° C	55 +/- 5	SA (e.g. SFO8-25SA)
Low-wear	Polyurethan	red	-20° C bis +150° C	82 +/- 5	on request

► Technical Data

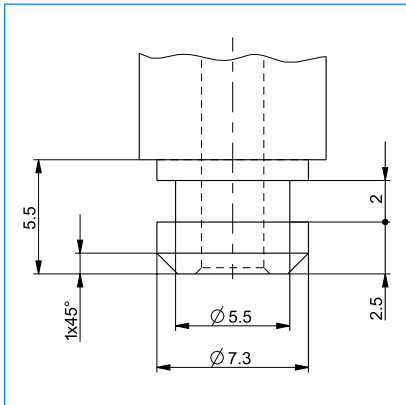
Order no.	SFO8-25	SFO15-45	SFO25-75
Vacuum force theoretical [N]*	15	49	139
Lifting force [N]	3.5	10	35
Volume [cm³]	0.9	6.1	20.4
Connection type	1	2	2
Dimension B [mm]	8	15	25
Dimension D2 [mm]	10	17.5	17.5
Dimension H min. [mm]	14.5	19	22
Dimension H max. [mm]	18.5	28.5	34.5
Dimension L min. [mm]	25	45	75

*at 0.8 bar Vacuum

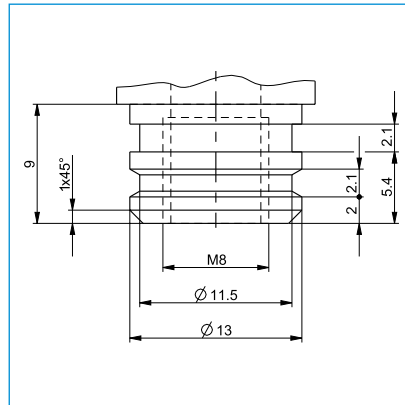
SUCTION CUPS

CONNECTION TYPES

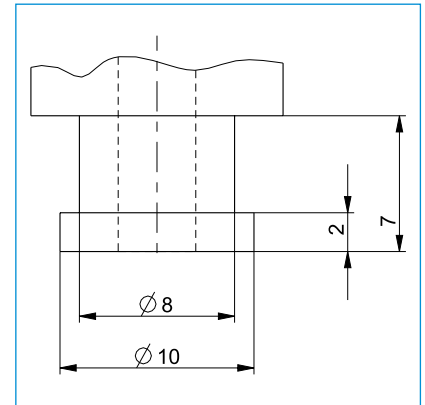
Suction Cups, Adapters and Compensation Modules with the same connection type can be variably combined. Dimensions of each connection type can be taken from drawings given below.



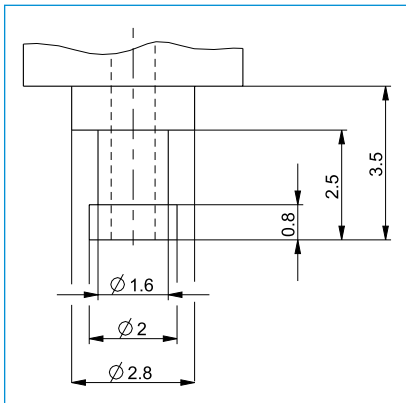
■ Connection type 1



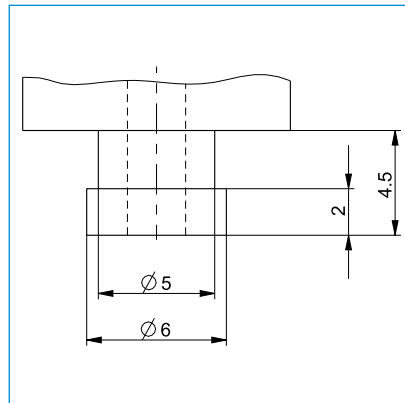
■ Connection type 2



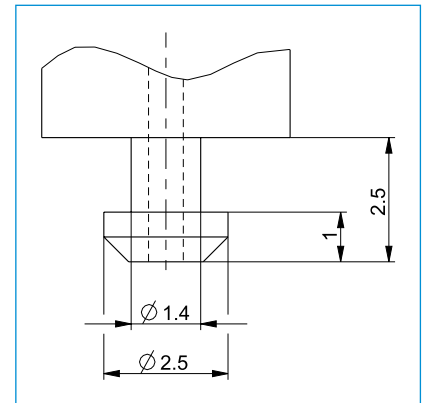
■ Connection type 3



■ Connection type 4



■ Connection type 5



■ Connection type 6