

# SPN 零点夹紧系统

## SPZ138 - 夹紧螺栓

### ► 技术数据

订购编号	SPZ138BZ12-B	SPZ138BZ16-B	SPZ138BE12-B	SPZ138BE16-B	SPZ138BS12-B	SPZ138BS16-B
Ød1 [mm]	25	25	25	25	25	25
Ød2 [mm]	35	35	34.85	34.85	35	35
Ød3 [mm]	31.2	31.2	31.2	31.2	31.2	31.2
ØD1 [mm]	25	25	25	25	25	25
a [mm]	4.9	4.9	4.9	4.9	4.9	4.9
l [mm]	32	32	32	32	32	32
SW [mm]	22	22	22	22	22	22
T [mm]	5	5	5	5	5	5
M *	M12	M16	M12	M16	M12	M16
Mx **	M10	M12	M10	M12	M10	M12

\*ISO 4762

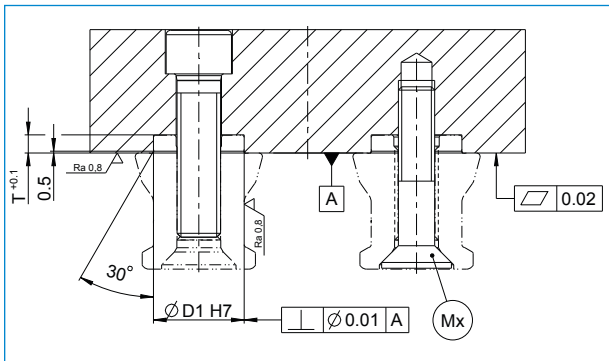
保持力 12.9 最大 [kN]: M6 = 15; M8 = 25; M10 = 35; M12 = 50; M16 = 75

保持力 10.9 最大 [kN]: M6 = 12; M8 = 20; M10 = 30; M12 = 40; M16 = 60

\*\*ISO 10642

保持力 12.9 最大 [kN]: M6 = 12; M8 = 20; M10 = 28; M12 = 40; M16 = 60

保持力 10.9 最大 [kN]: M6 = 9.5; M8 = 16; M10 = 24; M12 = 32; M16 = 48



SPZ138BZ12-B  
中心螺栓

SPZ138BZ16-B  
中心螺栓

SPZ138BE12-B  
拉杆式螺栓

SPZ138BE16-B  
拉杆式螺栓

SPZ138BS12-B  
剑形螺栓

SPZ138BS16-B  
剑形螺栓

