

ŠTRUKTUROVANÉ TLMIČE BASICSTOP

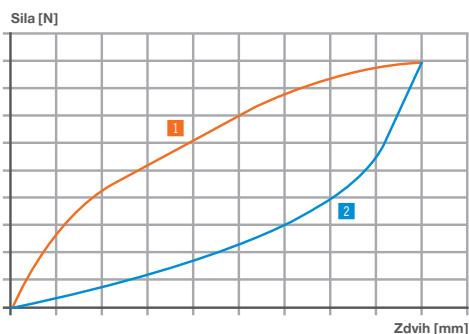
SÉRIA AXIAL STANDARD

ŠPECIFIKÁCIE PRODUKTOV



- ▶ **Spôsob konštrukcie** Axial
- ▶ **Tvrdosť podľa Shorea pre Hard** 55D
- ▶ **Tvrdosť podľa Shorea pre Medium** 40D
- ▶ **Podiel tlmenia Hard** do 75 %
- ▶ **Podiel tlmenia Medium** do 65 %
- ▶ **Rýchlosť nárazu** 0,1 ... 5 [m/s]
- ▶ **Prípustný teplotný rozsah** -50 ... +90 [°C]
- ▶ **Max. uhol nárazu** 15 [°]
- ▶ **Neobsahuje látky narúšajúce lak** Áno
- ▶ **V súlade s RoHS** Áno
- ▶ **V súlade s REACH** Áno

TECHNICKÉ ÚDAJE

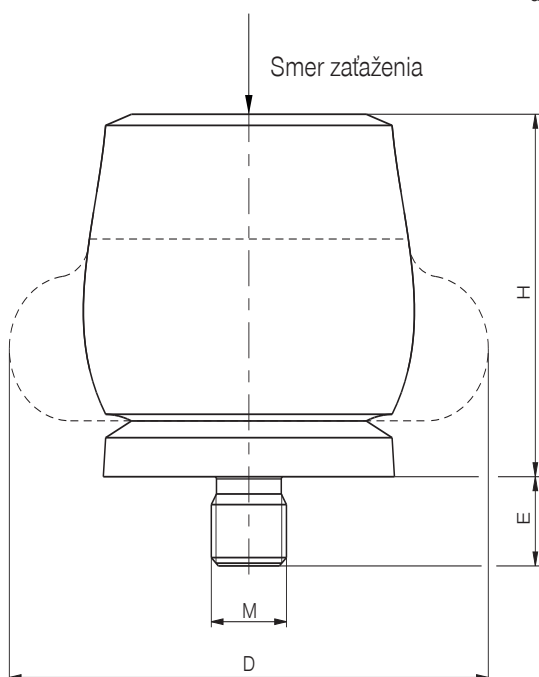


- 1 Kompresia
- 2 Pôvodná poloha

Pokyny k montáži

| Obj. č. | Prípojný závit | Veľkosť kľúča [mm] | Uťahovací moment [Nm] | Hmotnosť [g] |
|-----------|----------------|--------------------|-----------------------|--------------|
| TPC-M2-A | M2 | 1,3 | 0,3 | 1 |
| TPC-M3-A | M3 | 2 | 1 | 1 |
| TPC-M4-A | M4 | 2,5 | 2 | 1 |
| TPC-M5-A | M5 | 3 | 3 | 2 |
| TPC-M6-A | M6 | 5 | 5 | 4 |
| TPC-M8-A | M8 | 6 | 12 | 13 |
| TPC-M12-A | M12 | 10 | 40 | 29 |
| TPC-M16-A | M16 | 14 | 100 | 94 |

Štruktúrované tlmiče musia kompletne priliehať na spodnej strane. V prípade príslušného štruktúrovaného tlmiča BasicStop sú skrutky už súčasťou dodávky. Dodatočne sa dajú objednať aj jednotlivé.



TECHNICKÉ ÚDAJE

Axial Standard

| | Absorpcia energie max. | | Zdvih max. | Výška H pri zdvihu=0 | Priemer D | | Dĺžka zaskrutkovania E max. | Prípojný závit | Hmotnosť (vrát. skrutky) | | |
|----------------|------------------------|----------------------------|------------|----------------------|-----------|------------|-----------------------------|----------------|--------------------------|-----|-----|
| | Nepretržitá prevádzka | Režim núdzového zastavenia | | | Zdvih=0 | Zdvih=max. | | | | | |
| | Obj. č. | [J] | [J/h] | [J] | [mm] | [mm] | [mm] | [mm] | [g] | | |
| HARD | TPC-AS7X8H | 0,5 | 15 | 0,8 | 3 | 7 | 8 | 9 | 2 | M2 | 1 |
| | TPC-AS11X12H | 2 | 60 | 3 | 5 | 11 | 12 | 15 | 3 | M3 | 1 |
| | TPC-AS16X17H | 6 | 180 | 9 | 6 | 16 | 17 | 21 | 4 | M4 | 4 |
| | TPC-AS18X21H | 10 | 300 | 16 | 9 | 18 | 21 | 26 | 5 | M5 | 6 |
| | TPC-AS19X22H | 11,5 | 345 | 21 | 9 | 19 | 22 | 27 | 6 | M6 | 9 |
| | TPC-AS26X28H | 29 | 870 | 46 | 12 | 26 | 28 | 36 | 6 | M6 | 15 |
| | TPC-AS30X34H | 48 | 1440 | 87 | 14 | 30 | 34 | 43 | 6 | M6 | 22 |
| | TPC-AS33X37H | 65 | 1950 | 112 | 16 | 33 | 37 | 48 | 6 | M6 | 28 |
| | TPC-AS35X39H | 82 | 2460 | 130 | 16 | 35 | 39 | 50 | 8 | M8 | 41 |
| | TPC-AS38X43H | 112 | 3360 | 165 | 18 | 38 | 43 | 55 | 8 | M8 | 53 |
| | TPC-AS41X46H | 140 | 4200 | 173 | 19 | 41 | 46 | 59 | 12 | M12 | 77 |
| | TPC-AS45X50H | 170 | 5100 | 223 | 22 | 45 | 50 | 64 | 12 | M12 | 86 |
| | TPC-AS47X53H | 201 | 6030 | 334 | 22 | 47 | 53 | 68 | 12 | M12 | 100 |
| | TPC-AS51X57H | 242 | 7260 | 302 | 24 | 51 | 57 | 73 | 12 | M12 | 117 |
| | TPC-AS54X62H | 304 | 9120 | 361 | 25 | 54 | 62 | 77 | 12 | M12 | 131 |
| | TPC-AS57X65H | 374 | 11220 | 468 | 27 | 57 | 65 | 82 | 12 | M12 | 152 |
| | TPC-AS60X69H | 421 | 12630 | 524 | 29 | 60 | 69 | 86 | 12 | M12 | 174 |
| | TPC-AS65X71H | 482 | 14460 | 559 | 31 | 65 | 71 | 91 | 16 | M16 | 258 |
| | TPC-AS69X79H | 570 | 17100 | 831 | 32 | 69 | 79 | 100 | 16 | M16 | 312 |
| | TPC-AS74X82H | 683 | 20490 | 921 | 35 | 74 | 82 | 105 | 16 | M16 | 348 |
| TPC-AS76X85H | 797 | 23910 | 1043 | 36 | 76 | 85 | 109 | 16 | M16 | 385 | |
| TPC-AS80X89H | 934 | 28020 | 1249 | 38 | 80 | 89 | 114 | 16 | M16 | 431 | |
| TPC-AS86X97H | 1147 | 34410 | 1555 | 40 | 86 | 97 | 123 | 16 | M16 | 516 | |
| TPC-AS101X116H | 2014 | 60420 | 2951 | 48 | 101 | 116 | 146 | 16 | M16 | 803 | |

| | Absorpcia energie max. | | Zdvih max. | Výška H pri zdvihu=0 | Priemer D | | Dĺžka zaskrutkovania E max. | Prípojný závit | Hmotnosť (vrát. skrutky) | | |
|----------------|------------------------|----------------------------|------------|----------------------|-----------|------------|-----------------------------|----------------|--------------------------|-----|-----|
| | Nepretržitá prevádzka | Režim núdzového zastavenia | | | Zdvih=0 | Zdvih=max. | | | | | |
| Obj. č. | [J] | [J/h] | [J] | [mm] | [mm] | [mm] | [mm] | [g] | | | |
| MEDIUM | TPC-AS7X7M | 0,3 | 9 | 0,4 | 3 | 7 | 7 | 9 | 2 | M2 | 1 |
| | TPC-AS12X11M | 0,9 | 27 | 1,4 | 6 | 12 | 11 | 15 | 3 | M3 | 1 |
| | TPC-AS15X14M | 2 | 60 | 3 | 7 | 15 | 14 | 19 | 4 | M4 | 2 |
| | TPC-AS19X17M | 4 | 120 | 6 | 9 | 19 | 17 | 24 | 5 | M5 | 6 |
| | TPC-AS21X20M | 6 | 180 | 7 | 11 | 21 | 20 | 27 | 6 | M6 | 8 |
| | TPC-AS28X26M | 11,5 | 345 | 15 | 14 | 28 | 26 | 37 | 6 | M6 | 13 |
| | TPC-AS32X31M | 23 | 690 | 26 | 16 | 32 | 31 | 44 | 6 | M6 | 20 |
| | TPC-AS36X35M | 30 | 900 | 36 | 19 | 36 | 35 | 48 | 6 | M6 | 25 |
| | TPC-AS38X37M | 34 | 1020 | 42 | 19 | 38 | 37 | 51 | 6 | M6 | 31 |
| | TPC-AS41X41M | 48 | 1440 | 63 | 21 | 41 | 41 | 55 | 12 | M12 | 63 |
| | TPC-AS45X44M | 63 | 1890 | 72 | 23 | 45 | 44 | 60 | 12 | M12 | 69 |
| | TPC-AS49X48M | 81 | 2430 | 91 | 25 | 49 | 48 | 64 | 12 | M12 | 80 |
| | TPC-AS52X51M | 92 | 2760 | 114 | 27 | 52 | 51 | 69 | 12 | M12 | 91 |
| | TPC-AS55X54M | 122 | 3660 | 158 | 29 | 55 | 54 | 73 | 12 | M12 | 107 |
| | TPC-AS59X58M | 149 | 4470 | 154 | 31 | 59 | 58 | 78 | 12 | M12 | 123 |
| | TPC-AS62X61M | 163 | 4890 | 169 | 32 | 62 | 61 | 83 | 16 | M16 | 200 |
| | TPC-AS66X64M | 208 | 6240 | 254 | 34 | 66 | 64 | 87 | 16 | M16 | 227 |
| | TPC-AS69X68M | 227 | 6810 | 272 | 35 | 69 | 68 | 92 | 16 | M16 | 247 |
| | TPC-AS75X75M | 291 | 8730 | 408 | 38 | 75 | 75 | 101 | 16 | M16 | 292 |
| | TPC-AS79X77M | 352 | 10560 | 459 | 40 | 79 | 77 | 105 | 16 | M16 | 314 |
| TPC-AS84X82M | 419 | 12570 | 620 | 44 | 84 | 82 | 110 | 16 | M16 | 347 | |
| TPC-AS85X84M | 475 | 14250 | 635 | 43 | 85 | 84 | 115 | 16 | M16 | 395 | |
| TPC-AS92X90M | 580 | 17400 | 778 | 47 | 92 | 90 | 124 | 16 | M16 | 463 | |
| TPC-AS109X107M | 902 | 27060 | 966 | 56 | 109 | 107 | 147 | 16 | M16 | 698 | |