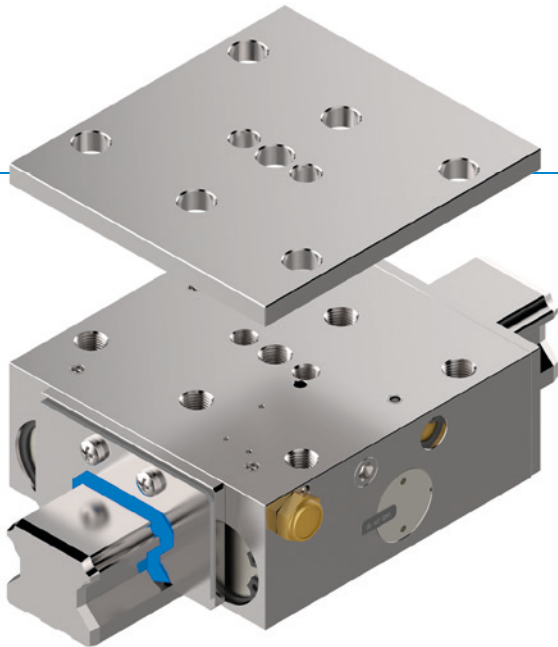


CLAMPING AND BRAKING ELEMENTS | PNEUMATIC SERIES UBPS

▶ PRODUCT ADVANTAGES



- ▶ **broad range of products**
For all common profile rail guides
- ▶ **Energize to open (NC)**
through spring-loaded energy storage
- ▶ **high durability**
Up to 5 million static clamping cycles
- ▶ **Higher holding force**
Via activation with PLUS air
- ▶ **Safety element**
Safe braking in case of energy failure

▶ THE BEST PRODUCT FOR YOUR APPLICATION

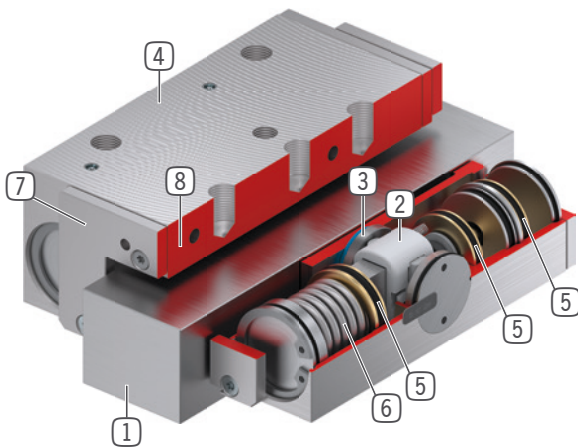
APPLICATION SCENARIOS

- ▶ **Emergency OFF function**
- ▶ **Z-axes positioning in neutral position**
- ▶ **Machine table clamping of work centre**

FURTHER INFORMATION

- ▶ **Spacer plate**
In addition, a spacer plate might have to be ordered as height compensation, depending on the height of the rail carriage (dimension D).
- ▶ **Special variants on request, e.g.**
 - With proximity switch monitoring
 - With low opening pressure (3.0 bar)
 - With additional air connection (from above, from the front)
 - Integrated valve for reduced closing time

► BENEFITS IN DETAIL



- ① **Profile rail guide**
 - Available for all common profile rail guides
- ② **Wedge-type gear**
 - Power transmission between the pistons and clamping jaws and brake shoes
- ③ **Clamping jaws and brake shoes**
 - Pressed at the free surfaces of the profile rail guide
- ④ **Housing**
- ⑤ **Pneumatic piston**
 - The piston moves the wedge-type gear longitudinally
- ⑥ **Spring-loaded energy storage**
 - For non-pressurized closing of the clamping unit
- ⑦ **Scraper**
 - Can also be ordered as an option
- ⑧ **Integrated valve (optional)**
 - Up to 60% faster closing time
 - regardless of the cable length

► INFORMATION ON THE SERIES

Series	► Technical data	
	UBPS	UBPS-LP
Rail size	20-65 mm	20-65 mm
Holding force	1500-7700 (9200) N	1000-5300 N
Pressure min. / max.	5.5 / 6.5	4 / 6.5
Spring storage	existing	existing
PLUS connection	Yes	Yes
B10d value	up to 5 million	up to 5 million
Dynamic braking cycles	up to 2000	up to 2000
Operation	pneumatic	pneumatic
Operating temperature	-10 ... +70 [°C]	-10 ... +70 [°C]