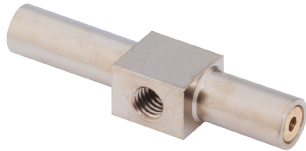


VACUUM GENERATORS

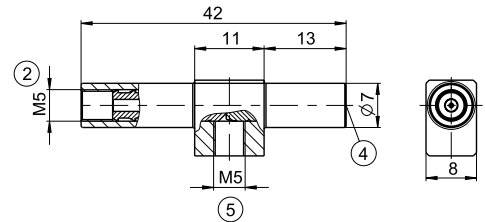
SERIES VGM / VG / VIP

► SERIES VGM



► Special features

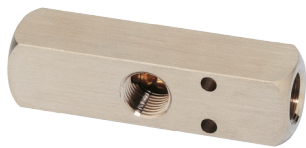
- Integrated vacuum connection ⑤
- Compressed air connection ②
- Exhaust air ④



► Technical Data

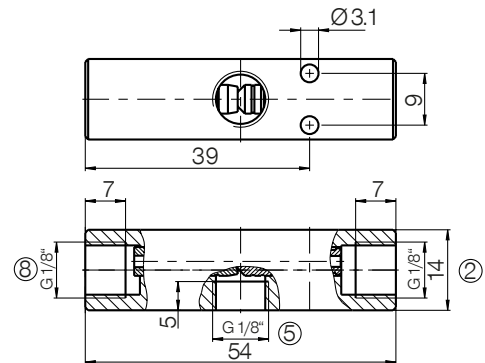
Order no.	VGM5
Vacuum [bar]	-0.8
Air consumption per min. [l norm]	63
Fixing thread	M5

► SERIES VG



► Special features

- Integrated vacuum connection ⑤
- Compressed air connection ②
- Connection for silencer Order no. SD18KS ⑧



► Technical Data

Order no.	VG1-8
Vacuum [bar]	-0.8
Air consumption per min. [l norm]	63
Fixing thread	G1/8"

► SERIES VIP

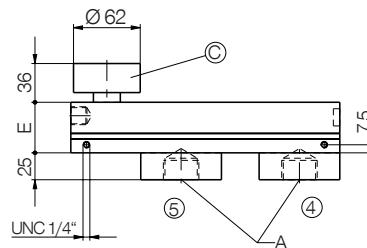
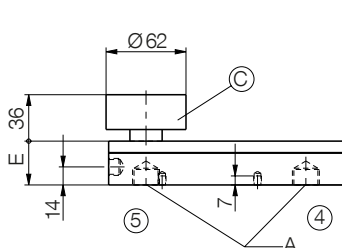
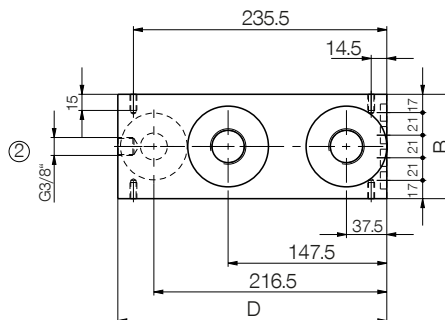
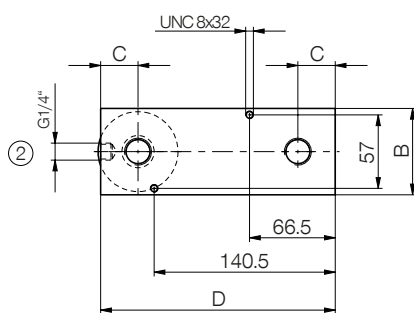


► Note

Manometer order no. VM62, suitable for VIP4 to VILP16, is not supplied with product

► Technical Data

Order no.	VIP4	VIP8	VIP12	VILP16
Vacuum output at 4 bar [%]	90	90	90	90
Air consumption per min. [l norm]	63	126	240	240
Vacuum volume [l norm/min.]	165	320	590	350
Operating pressure [bar]	4 ... 7	4 ... 7	4 ... 7	4 ... 7
Noise level (free-running) [db(A)]	65	65	65	75
Noise level (suction) [db(A)]	50	50	50	55
Operating temperature [°C]	-20 ... +80	-20 ... +80	-20 ... +80	-10 ... +100
A	G1/2"	G1/2"	G1/2"	G1,5"
Dimension B [mm]	67	67	67	97
Dimension C [mm]	29	29	29	
Dimension D [mm]	182	182	182	250
Dimension E [mm]	34	34	52	47
Weight [kg]	0.67	0.7	0.92	2.5



- ② Air connection
- ④ Exhaust air
- ⑤ Vacuum connection
- Ⓒ Manometer is not supplied with product
Order no. VM62