

CHANGEABLE JAW, FIX-PART WB5006F

CHANGEABLE JAW, LOOSE-PART-SET WB5006L

▶ PRODUCT SPECIFICATIONS

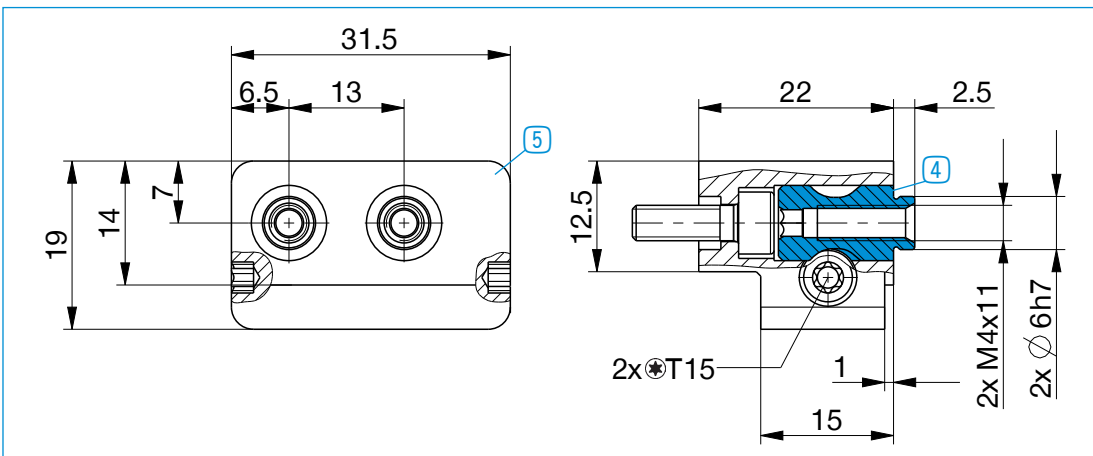


5 Changeable jaw, fix-part

4 Changeable jaw, loose-part-set

▶ Technical data

Order no.	WB5006F	WB5006L
Compatible with installation size	GPP5006 / GPD5006	GPP5006 / GPD5006
Tightening torque [Nm]	1.5	
Packaging unit [piece]	1	2
Weight [kg]	0.075	0.008



For each gripper jaw, one interchangeable jaw loose part set (4) and one interchangeable jaw fixed part (5) are needed