

CHANGEABLE JAW, FIX-PART WB5016F

CHANGEABLE JAW, LOOSE-PART-SET WB5016L

▶ PRODUCT SPECIFICATIONS

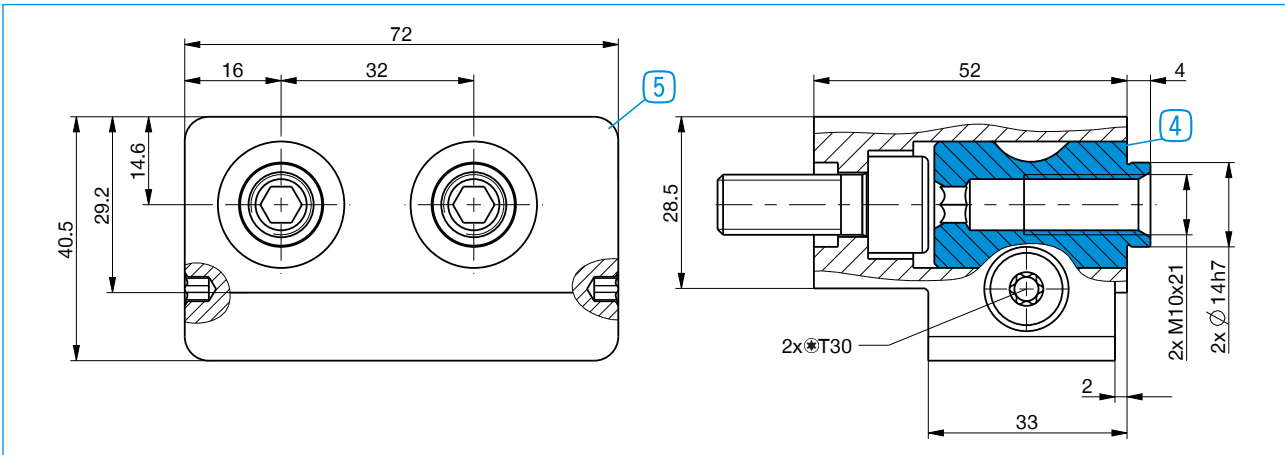


5 Changeable jaw, fix-part

4 Changeable jaw, loose-part-set

▶ Technical data

Order no.	WB5016F	WB5016L
Compatible with installation size	GPP5016 / GPD5016	GPP5016 / GPD5016
Tightening torque [Nm]	15	
Packaging unit [piece]	1	2
Weight [kg]	0.84	0.091



For each gripper jaw, one interchangeable jaw loose part set (4) and one interchangeable jaw fixed part (5) are needed