

# AXIS COMPENSATION MODULES

## SERIES XYR1000

### ▶ PRODUCT ADVANTAGES



#### ▶ Adjustable balancing force and stroke

Using adjusting screws, you can adjust the properties of the equalizer optimally to your application in the shortest amount of time

#### ▶ Flat design

This structure reduces the moment load for your robot to a minimum and makes it possible to use smaller and more affordable sizes

#### ▶ Can be fixed in place centrally or de-centrally

Depending on the requirement, you can clamp or centrally lock the equalizer position. An aid for optimal processes

### ▶ THE BEST PRODUCT FOR YOUR APPLICATION



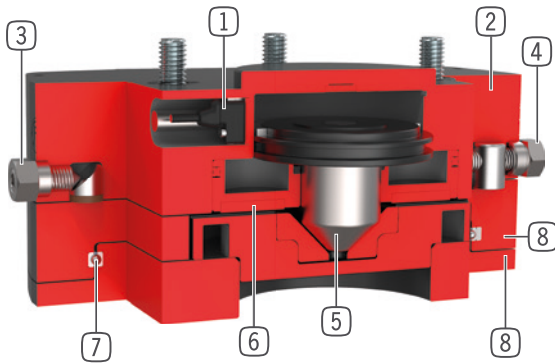
#### ▶ Our products welcome the challenge!

Extreme conditions, all over the world—our tried and tested components and systems give you endless possibilities.

Find the best product for your specific use:

[www.zimmer-group.com](http://www.zimmer-group.com)

## ► BENEFITS IN DETAIL



- ① Piston position sensing**
  - via magnetic field sensor
  - included in scope of delivery
- ② Robust, lightweight housing**
  - Hard-coated aluminum alloy
  - partial mounting circle in accordance with EN ISO 9409-1
  - lowest overall height
- ③ Compensation force**
  - adjustable via adjustment screw
- ④ Compensation stroke**
  - infinitely variable (from size 1063 upwards)
- ⑤ Locking piston**
  - central via cone
- ⑥ Eccentric locking**
  - via pneumatic piston with frictional contact
- ⑦ Linear guide**
  - for highest force and moments capacity
- ⑧ Compensation plate**
  - to balance position errors in XY- direction

## ► TECHNICAL DATA

Installation size	Connecting flange according EN ISO 9409-1	Stroke X/Y level +/-	Retention force centred	Retention force decentred
		[mm]	[N]	[N]
<b>XYR1040</b>	TK 40	3	150	30
<b>XYR1050</b>	TK 50	3.5	250	50
<b>XYR1063</b>	TK 63	4.5	400	125
<b>XYR1080</b>	TK 80	5.5	600	250
<b>XYR1100</b>	TK 100	6.0	900	450
<b>XYR1125</b>	TK 125	8.0	1500	600
<b>XYR1160</b>	TK 160	10.0	2000	1000
<b>XYR1200</b>	TK 200	12.5	3000	1250

## ► FURTHER INFORMATION IS AVAILABLE ONLINE



All information just a click away at: [www.zimmer-group.com](http://www.zimmer-group.com). Find data, illustrations, 3D models and operating instructions for your installation size using the order number for your desired product. Quick, clear and always up-to-date.

# AXIS COMPENSATION MODULES

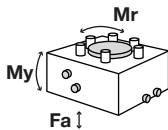
## INSTALLATION SIZE XYR1063

### ▶ PRODUCT SPECIFICATIONS



#### ▶ Forces and moments

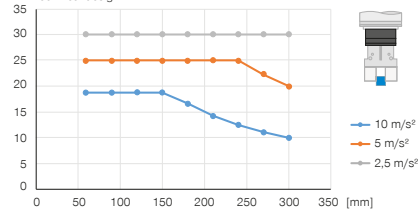
Shows static forces and moments



Mr [Nm]	60
My [Nm]	60
Fa [N]	750

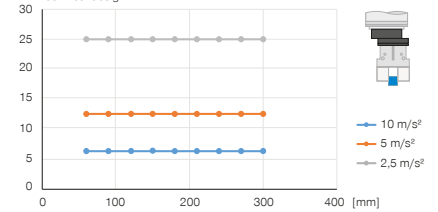
#### ▶ Vertical design with centered holding force

Shows the maximum handling weight as a function of acceleration and lever arm with centric setup below the product. Does not replace the technical design.



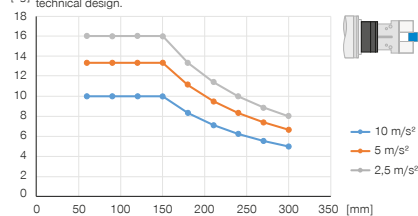
#### ▶ Vertical design with decentered holding force

Shows the maximum handling weight as a function of acceleration and lever arm with centric setup below the product. Does not replace the technical design.



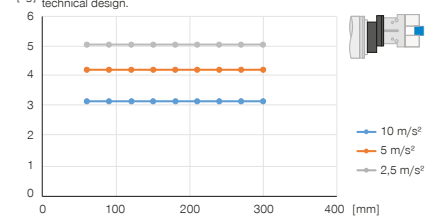
#### ▶ Horizontal design with centered holding force

Shows the maximum handling weight as a function of acceleration and lever arm with centric setup below the product. Does not replace the technical design.



#### ▶ Horizontal design with decentered holding force

Shows the maximum handling weight as a function of acceleration and lever arm with centric setup below the product. Does not replace the technical design.



### ▶ INCLUDED IN DELIVERY



3 [piece]  
Mounting block  
**KB8K**



4 [piece]  
Cylinder Screw  
**C7984060149**

### ▶ RECOMMENDED ACCESSORIES



#### ENERGY SUPPLY



**GVM5**  
Straight Fittings - Quick Connect Style



**WVM5**  
Angled Fittings - Quick Connect Style



#### SENSORS



**NJ8-E2**  
Inductive proximity switch - Cable 5 m



**NJ8-E2S**  
Inductive proximity switch - Connector M8



#### SENSORS



**KHA1000-8**  
Alternate proximity bracket



**ZUB109833**  
Piston position sensing

► Technical data	
<b>Order no.</b>	<b>XYR1063-B</b>
Connecting flange according EN ISO 9409-1	TK 63
Stroke X/Y level +/- [mm]	4.5
Retention force centred [N]	400
Retention force decentred [N]	125
Repetition accuracy +/- [mm]	0.02
Operating pressure [bar]	1 ... 8
Nominal operating pressure [bar]	6
Operating temperature [°C]	5 ... +80
Air volume per cycle centred [cm <sup>3</sup> ]	16
Air volume per cycle decentred [cm <sup>3</sup> ]	9
Moment of inertia [kgcm <sup>2</sup> ]	32.8
Weight [kg]	1.7

