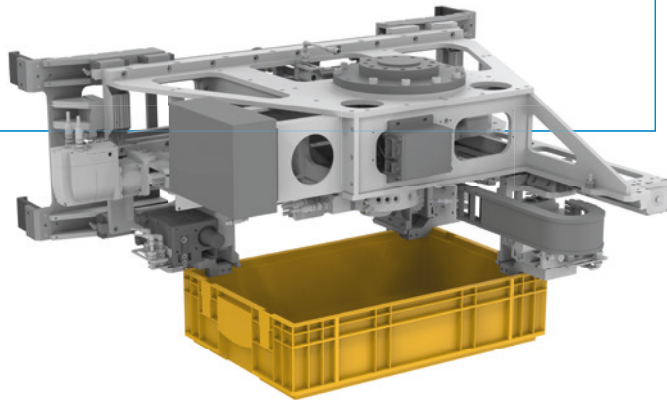


HANDLING SYSTEM FOR SMALL LOAD CARRIERS

Z01SYS114179

▶ PRODUCT INFORMATION



- ▶ In the area of intralogistics, small load carriers (SLCs) are frequently used in accordance with the VDA standard. Zimmer Group's standard solution for the Inbound area makes it possible to depalletize a wide variety of SLCs, even with the densest layers. As a modularly designed handling system, it can be augmented very flexibly with additional functions, such as a palletizing gripper or tool exchange system for exchanging further function modules.

▶ CHALLENGE

- ▶ Depalletizing small load carriers end-to-end
- ▶ Limited accessibility (dense layer pattern)
- ▶ High cycle count
- ▶ Exchangeable cardboard gripper
- ▶ Integrated pallet handling
- ▶ Expandable to future SLC variants
- ▶ Optimized system weight
- ▶ Secure grip of SLCs even at the maximum permitted load

▶ SOLUTION

- ▶ 3-point grip
- ▶ Format adjustment in X and Y (servo)
- ▶ Special gripper fingers for reduced interference contours and tighter layer patterns
- ▶ High versatility thanks to exchangeable additional modules (e.g. cardboard grippers)
- ▶ Weight-optimized design
- ▶ Compensation of height tolerances
- ▶ Profile jaws for safe standstill of the SLCs
- ▶ Integrated gripping force retention

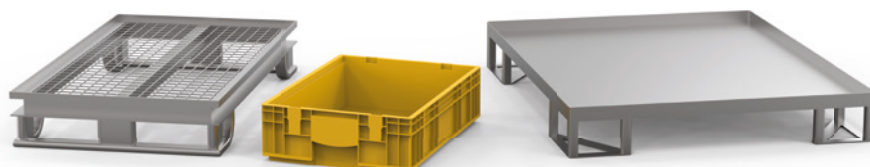
▶ WORKPIECE

SLC:

- ▶ Up to 25 kg weight
- ▶ Width: 200 to 400 mm
- ▶ Length: 300 to 600 mm
- ▶ Height: 160 to 280 mm

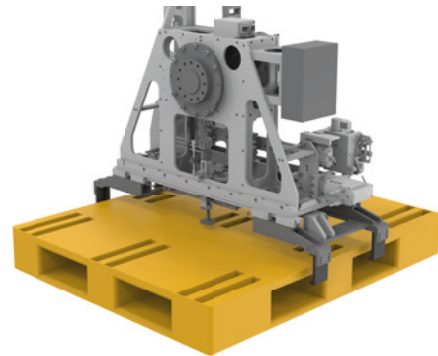
Pallets:

- ▶ Up to 50 kg weight
- ▶ Width: 600 to 1000 mm
- ▶ Length: 800 to 1200 mm
- ▶ Height: 150 to 200 mm

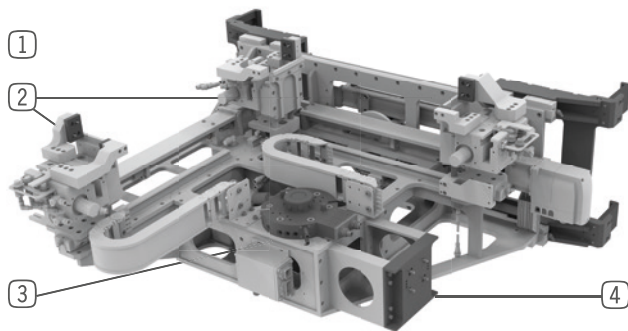


▶ TECHNICAL DATA

Product	Small load carriers & pallets
Gripping technology	Frictional fit for SLC / form fit for pallets
Workpiece weight [kg]	25 kg SLC / 60 kg pallet
System weight [kg]	92
Drive type	Pneumatic / electric



▶ FUNCTIONS IN DETAIL



- ① Pneumatic gripper with integrated gripping force retention
- ② Format adjustment
- ③ Tool changer for exchanging additional modules
- ④ Connection of vision technology

▶ MORE INFORMATION/CROSS REFERENCES

▶ Small load carrier
Z01SYS114187

▶ Cardboard packaging
Z01SYS114187

▶ Small load carrier (cardboard)
Z01SYS114189

