

ACCESORIES

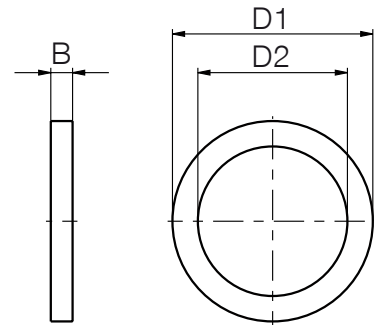
SERIES ZUB

► SEAL



► Special features

Material: polyamide
To 90°C



► Technical Data

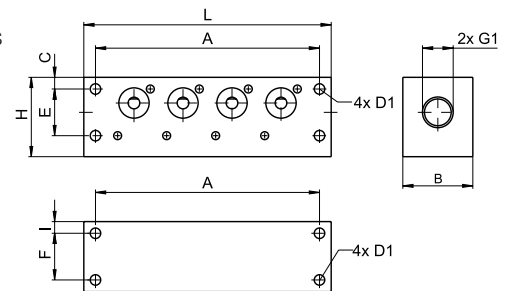
Order no.	ZUB0034	ZUB0035	ZUB0036
Dimension B [mm]	1	1.5	1.5
Dimension D1 [mm]	8	13.8	17
Dimension D2 [mm]	5.1	10.3	13.5

► AIR CONNECTION



► Special features

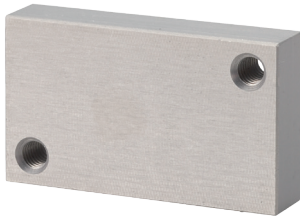
To create compact ejector blocks
Central compressed air feed



► Technical Data

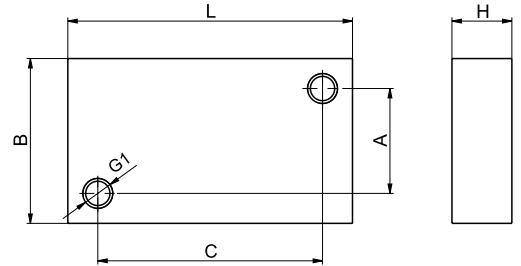
Order no.	ZUB0007	ZUB0008	ZUB0010	ZUB0011
G1	G1/4"-IG	G1/4"-IG	G1/2"-IG	G1/2"-IG
Dimension A [mm]	54	96	62	108
Dimension B [mm]	30	30	38	38
Dimension C [mm]	5	5	8	8
Dimension D1 [mm]	4.5	4.5	7	7
Dimension E [mm]	20	20	34	34
Dimension F [mm]	20	20		
Dimension H [mm]	34	34	49.5	49.5
Dimension I [mm]	5	5	7	7
Dimension L [mm]	64	106	78	124
No. of outlets [piece]	2	4	2	4
Weight [g]	180	281	375	595
compatible with	2xKE15	4xKE15	2xKE25	4xKE25

▶ COVER PLATE



▶ Special features

To close connections not used by ejectors



▶ Technical Data

Order no.	ZUB0009	ZUB0012
G1	M3	M4
Dimension A [mm]	14	14
Dimension B [mm]	20	22
Dimension C [mm]	20	30
Dimension H [mm]	6	8
Dimension L [mm]	26	38
compatible with	ZUB0007-ZUB0008	ZUB0010-ZUB0011

▶ CLAMPING TONGS ZUB0033



▶ Special features

Clamping tongs with side cutters for use where space is limited
Suitable for ear clamps in OV, SFO and SF suction cup Series