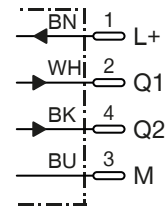
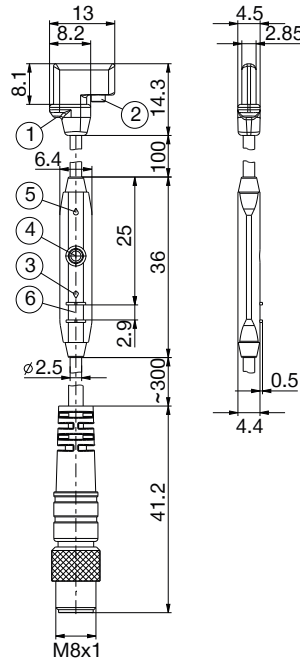
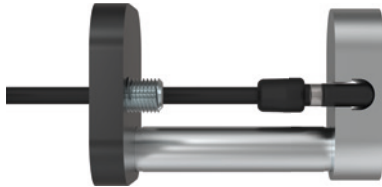


PISTON POSITION SENSING

ZUB109829



Connection diagram



PIN assignment

- ① Center of sensor element
- ② Fixing screw
- ③ Display LED
- ④ Teach-in button
- ⑤ Display LED
- ⑥ Ribs for cable ties

| Order no. | ZUB109829 |
|--|----------------------------------|
| General data | |
| Compatible with installation size | XYR1100-B |
| Cylinder design | C-slot |
| Switching output | PNP |
| Switching frequency [Hz] | 7000 |
| Switching function | Normally open (NO) |
| Programmable switching points | 2 |
| Electrical version | DC 4-wire |
| Protection to IEC 60529 | IP67 |
| Certification | CE |
| Electrical / Mechanical data | |
| Supply voltage min. [V DC] | 12 |
| Supply voltage max. [V DC] | 30 |
| Current consumption [mA] | ≤15 |
| Voltage drop [V] | ≤2.2 |
| Continuous current [mA] | ≤100 |
| Detection zone [mm] | 0 ... 20 |
| Hysteresis typ. [mT] | 0.795 |
| Reproducibility [mT] | ≤0.1 |
| Protected against polarity reversal | Yes |
| Short-circuit-proof | Yes |
| Power-up pulse protection | Yes |
| Operating temperature min. [°C] | -20 |
| Operating temperature max. [°C] | +75 |
| Shock and vibration resistance | 30 g, 11 ms / 10 ... 55 Hz, 1 mm |
| Housing Material | Plastics |
| Connection type | Cable/Connector |
| Fixing thread | M8 |
| Installation type | Cable outlet radial |
| Cable length [m] | 0.3 |
| Nr. of wires x diameter [mm ²] | 4x0.08 |
| Cable sheath material | PUR |
| Bending radius for fixed routing, min. | 3x∅ |
| Bending radius when using a drag chain, min. | 5x∅ |