

## 1 Supporting documents

### NOTICE

- Read through the installation and operating instructions carefully before installing the product! The installation and operating instructions contain important notes for your personal safety. They must be read and understood by all persons who work with or handle the product during any phase of the product lifetime. The documents listed below are available for download on our website ([www.zimmer-group.com](http://www.zimmer-group.com)). Only the documents currently available on the website are valid.
- Catalogs, drawings, CAD data, performance data
  - Information on accessories
  - Detailed installation and operating instructions
  - Technical data sheets
  - General Terms and Conditions with specifications for the warranty entitlement

## 2 Safety notices

### CAUTION

- Risk of injury and material damage in case of non-compliance**  
Installation, commissioning, maintenance and repairs may only be performed by qualified specialists in accordance with these installation and operating instructions. The product is state-of-the-art. It is fitted to industrial machines and is used to hold, transport and store workpieces. The following are examples of situations in which the product may cause a hazard:
- The product is not properly installed, used or maintained.
  - The product is not used for its designated purpose.
  - The locally applicable regulations, laws, directives or guidelines are not observed.
- The product may only be used in accordance with these installation and operating instructions and the product's technical data. Any changes or additions to the intended use of the product, as well as modifications to the product, such as those in the following examples, require the written permission of the manufacturer:
- Use of the product under extreme conditions, such as aggressive fluids or abrasive dusts
  - Additional drilled holes or threads
- ⇒ Zimmer GmbH shall accept no liability for any damage caused by improper use. The operator bears sole responsibility.
- Make sure that the power supply is disconnected before you mount, adjust, modify, maintain or repair the product.
  - Whenever work is carried out on the product, make sure that the product cannot be actuated by mistake.
  - Perform maintenance tasks, retrofitting or attachment work outside of the machine's danger zone when possible.
  - Do not reach into the operational range of the product.
  - Observe the specified maintenance intervals and specifications regarding the quality of the operating material.
  - When using the product under extreme conditions, adjust the maintenance interval according to the degree of contamination.

## 3 Proper use

### NOTICE

- The product is only to be used in its original state with its original accessories, with no unauthorized changes and within the stipulated parameter limits and operating conditions. Any other or secondary use is deemed improper.
- Operate the product only in compliance with the associated installation and operating instructions.
  - Operate the product only when it is in a technical condition that corresponds to the guaranteed parameters and operating conditions.
- ⇒ Zimmer GmbH shall accept no liability for any damage caused by improper use. The operator bears sole responsibility.

The gripper is designed for operation with compressed air only. It is not suited for operation with other media such as liquids or gases. The gripper is used as defined under "Proper use" in enclosed rooms for temporarily gripping, handling and holding workpieces. It is not suitable for clamping workpieces during a machining process or for direct contact with perishable goods. Proper use of the gripper also includes the forces and torques that may be acting in addition to the gripping force.

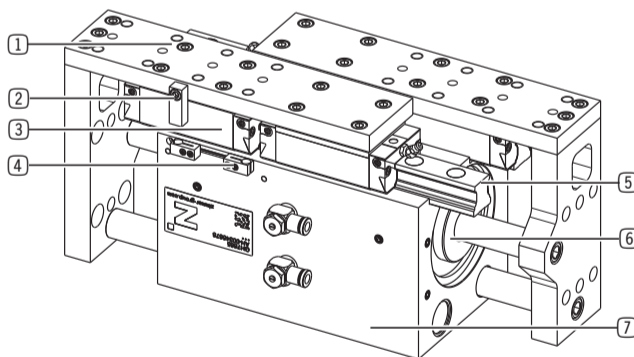
## 4 Personnel qualification

Installation, commissioning and maintenance may only be performed by trained specialists. These persons must have read and understood the installation and operating instructions in full.

## 5 Functional description

The function relies on the action of a pneumatic piston vented on both sides. Alternating ventilation moves the pneumatic piston up and down. The energy generated in this process is transferred to the gripper jaws by kinematics, producing the gripping force.

- 1 Gripper jaw
- 2 Switch cam
- 3 Rail carriage with wiper
- 4 Terminal block
- 5 Linear guide
- 6 Drive
- 7 Housing



## 6 Technical data

### INFORMATION

- You can find the information in the technical data sheet on our website. This data varies within the series, depending on the specific design.
- Please contact Zimmer Customer Service if you have any questions.

## 7 Accessories/scope of delivery

### NOTICE

- Before installing the accessories, check whether they are suitable for use with the selected variant.
- You can find information on our website.
- Please contact Zimmer Customer Service if you have any questions.

## 8 Installation

### WARNING

- Risk of injury in case of non-compliance**  
Risk of injury in case of uncontrolled movements of the machine or system into which the product is to be installed.
- Switch off the power supply of the machine before all work.
  - Secure the power supply against being switched on unintentionally.
  - Check the machine for any residual energy that may be present.

### CAUTION

- Risk of injury in case of non-compliance**  
Risk of injury in the event of unexpected movement of the product when the power supply is connected.
- Switch off the power supply to the product before all work.
  - Secure the power supply against being switched on unintentionally.
  - Check the product for any residual energy that may be present.

### NOTICE

- Installation may only be carried out by qualified personnel in accordance with these installation and operating instructions.
  - Switch off the power supply before any assembly, installation or maintenance work.
- Install the product on an appropriate mounting surface in accordance with the flatness specifications.

### INFORMATION

- Requirements for the mounting surface:**
- Permissible unevenness:
    - < 100 = 0.02 mm
    - > 100 = 0.05 mm
- Further installation information:
- The mounting screws are not included in the scope of delivery.
  - Strength class of the mounting screws 8.8 (DIN EN ISO 4762)

- Comply with the tightening torques of the mounting screws.
- Verify the permitted load capacity of the required screw connections in accordance with VDI 2230.

### 8.1 Installing the product

#### INFORMATION

- You can find the size of the mounting screws in the technical data sheet on our website.
- You can find the exact installation positions in the technical data sheet on our website.

The product can be installed from multiple sides.

- Insert the straight pins into the designated fits on the product.
- Position the product on the mounting surface by using the straight pins.
- Mount the product on the mounting piece by using the appropriate mounting screws.

### 8.2 Installing the power supply

#### NOTICE

- Close off unused pneumatic connections using suitable dummy plugs.
- The authorized pneumatic connections that are available can be found in the accessories list on our website.
- Use compressed air in accordance with DIN ISO 8573-1 [4:4:4].

## 9 Maintenance

Maintenance-free operation of the product is guaranteed for up to 10 million cycles.

Maintenance-free operation of the product can be reduced under the following circumstances:

- Operation with compressed air of a different quality than what is specified by DIN ISO 8573-1 [4:4:4]
  - Dirty environment
  - Improper use and use that does not comply with the performance data
  - Non-permissible ambient temperature
- Have maintenance work be performed by Zimmer Customer Service whenever possible.

⇒ Dismantling and reassembling the product without authorization may result in complications, as special installation equipment is required in some cases. Zimmer GmbH accepts no liability for any resulting malfunctions or damage.

## 10 Decommissioning and disposal

### INFORMATION

- When the product reaches the end of its operational phase, it can be completely disassembled and disposed of.**
- Disconnect the product completely from the power supply.
  - Dispose of the components properly according to the material groups.
  - Comply with the locally applicable environmental and disposal regulations.

## 11 Declaration of Incorporation

In terms of the EU Machinery Directive 2006/42/EC (Annex II 1 B).

**Name and address of the manufacturer:**

Zimmer GmbH • Im Salmenkopf 5 • 77866 Rheinau, Germany • +49 7844 9138 0 • www.zimmer-group.com

We hereby declare that the incomplete machine described below

**Product designation:** 2-jaw parallel gripper with long stroke, pneumatic

**Type designation:** GH7000 series

satisfies the following basic requirements of the Machinery Directive 2006/42/EC: No. 1.1.2., No. 1.1.3., No. 1.1.5., No. 1.3.2., No. 1.3.4., No. 1.3.7., No. 1.5.3., No. 1.5.4., No. 1.5.8., No. 1.6.4., No. 1.7.1., No. 1.7.4

The manufacturer has a complete list of the applied standards.

We also declare that the specific technical documents were produced in accordance with Annex VII Part B of this Directive. We undertake to provide the market supervisory bodies with electronic versions of special documents for the incomplete machine through our documentation department, should they have reason to request them.

**The incomplete machine may only be commissioned if it has been ascertained, if applicable, that the machine or system in which the incomplete machine is to be installed satisfies the requirements of Directive 2006/42/EC on Machinery and an EC Declaration of Conformity has been drawn up in accordance with Annex II 1 A.**

Kurt Ross  
Authorized representative for  
compiling the relevant technical  
documents

Rheinau, Germany, 2021-12-09  
(Place and date of issuance)

Martin Zimmer  
(Legally binding signature)  
Managing Partner