



MATCH

INSTALLATION AND OPERATING INSTRUCTIONS

2-jaw parallel gripper with IO-Link
quick-change system

LWR50L-03-00001-A

DDOC01068

THE KNOW-HOW FACTORY

Parameter explanation (glossary)

Parameter	Explanation
ActualPosition	Value of the current position of the product [1/100 mm]
BasePosition	BasePosition is the outer jaw position. Depending on the gripper profile, this can also be a work position.
ControlWord	Activation of the product Only one bit is permitted to be active in the word. The value "0" is also permitted.
DeviceMode	Used to select gripping profiles as well as the additional help modes in the product.
Diagnosis	If an error occurs, outputs a diagnostic code that can be compared with the error list.
DIR	Direction/24 V cable connection - Depending on the product, this signal is used to move the product.
Error	Fault
GND	Abbreviation for ground connection
GripForce	Setting the gripping force
Offset	Correction value
PositionTolerance	Tolerance range for TeachPosition The value of the parameter acts in both directions.
ShiftPosition	ShiftPosition is a switching position between pre-positioning and gripper movement.
StatusWord	In its bits, returns the most important information about the status of the product to the control system.
Teach/Adjust	Programming/Adjusting With this signal, depending on the gripper type, the current position of the gripper jaws can be taught in as the new workpiece position. Adjust is used to define the reachable end positions of the gripper jaws.
TeachPosition	Actual workpiece position
Traversing routine	Defined procedure for movement of the gripper jaws
Travel path	Path on which the gripper jaws travel.
WorkpieceNo	Selection of the workpiece recipes stored in the product
WorkPosition	Inner jaw position on the product Depending on the application, this can also be the standby position.

Content

1	Supporting documents	5
1.1	Notices and graphics in the installation and operating instructions	5
2	Safety notices	6
3	Proper use	8
4	Personnel qualification	8
5	Product description	9
5.1	Possible applications.....	10
5.2	Forces and torques.....	10
5.3	Type plate	10
5.4	Product variants and compatibility.....	10
5.5	Use in applications	11
6	Functional description	12
6.1	LED status display	13
6.2	Sensors.....	14
6.2.1	Wiring diagram sensor system	15
6.2.2	Adjust the sensors in the inspection position	15
6.2.3	Adjust the sensors in the storage position	15
6.3	Functional safety	16
6.4	Control	16
6.5	Verified configuration examples	16
6.6	Self-locking mechanism	16
7	Technical data	17
7.1	Electrical specifications.....	17
7.2	Protection class.....	17
8	Accessories/scope of delivery	17
9	Transportation/storage/preservation	17
10	Installation	18
10.1	Installing the product.....	18
10.1.1	Installing the stationary part and end effector with loose part	19
10.2	Installing the energy supply	20
10.3	Static charge	20
10.4	Heat dissipation	20
10.5	Installing accessories	20
11	Commissioning	21
11.1	Process data	21
11.2	IODD Import	22
11.3	Handshake Data Transfer Method.....	22
11.4	Parameters	23
11.4.1	ControlWord.....	23
11.4.2	DeviceMode	25
11.4.3	WorkpieceNo	29
11.4.4	PositionTolerance	29
11.4.5	GripForce	30
11.4.6	DriveVelocity	30
11.4.7	BasePosition	31
11.4.8	TeachPosition.....	31
11.4.9	WorkPosition	31
11.4.10	StatusWord.....	32
11.4.11	Diagnosis.....	34

11.4.12	ActualPosition	34
11.5	Easy Startup	35
11.6	Quickstart Basic Parameters	36
11.7	Starting the gripping movement	37
11.8	Repeated movements in the same direction	37
11.9	Recipe examples	38
11.9.1	Save recipe	38
11.9.2	Loading a recipe	39
12	Operation	40
12.1	Emergency release	40
13	Gripping force charts	40
14	Error diagnosis	41
15	Maintenance	43
16	Decommissioning/disposal	43
17	RoHS declaration	44
18	REACH declaration	44
19	Declaration of Incorporation	45
20	Declaration of Conformity	46

1 Supporting documents

NOTICE



Read through the installation and operating instructions before installing or working with the product.

The installation and operating instructions contain important notes for your personal safety. They must be read and understood by all persons who work with or handle the product during any phase of the product lifetime.



The documents listed below are available for download on our website www.zimmer-group.com.

- Installation and operating instructions
 - Catalogs, drawings, CAD data, performance data
 - Information on accessories
 - Technical data sheets
 - General Terms and Conditions, including warranty information.
- ⇒ Only those documents currently available on the website are valid.

In these installation and operating instructions, "product" refers to the product designation on the title page!

1.1 Notices and graphics in the installation and operating instructions

DANGER



This notice warns of an imminent danger to the life and health of people. Ignoring these notices can lead to serious injury or even death.

- ▶ You absolutely must comply with the described measures for avoiding these dangers!
- ⇒ The warning symbols are assigned according to the type of danger.

WARNING



This notice warns of a situation that is potentially hazardous to personal health. Ignoring these notices can cause serious injury or damage to health.

- ▶ You absolutely must comply with the described measures for avoiding these dangers!
- ⇒ The warning symbols are assigned according to the type of danger.

CAUTION



This notice warns of a situation that is potentially hazardous for people or that may result in material or environmental damage. Ignoring these notices may result in slight, temporary injuries or damage to the product or to the environment.

- ▶ You absolutely must comply with the described measures for avoiding these dangers!
- ⇒ The warning symbols are assigned according to the type of danger.

NOTICE



General notices contain usage tips and valuable information, but no warnings of dangers to health.

INFORMATION



This category contains useful tips for handling the product efficiently. Failure to observe these tips will not result in damage to the product. This information does not include any information relevant to health or workplace safety.

2 Safety notices

CAUTION



Risk of injury and material damage in case of non-compliance

Installation, commissioning, maintenance and repairs may only be performed by qualified specialists in accordance with these installation and operating instructions.

The product is state-of-the-art.

It is fitted to industrial machines and is used to hold, transport and store workpieces.

The following are examples of situations in which the product may cause a hazard:

- The product is not properly installed, used or maintained.
- The product is not used for its designated purpose.
- The locally applicable regulations, laws, directives or guidelines are not observed.
- ▶ The product may only be used in accordance with these installation and operating instructions and the product's technical data. Any changes or additions to the intended use of the product, as well as modifications to the product, such as those in the following examples, require the written permission of the manufacturer:
 - Use of the product under extreme conditions, such as aggressive fluids or abrasive dusts
 - Additional drilled holes or threads
- ⇒ Zimmer GmbH shall accept no liability for any damage caused by improper use. The operator bears sole responsibility.
- ▶ Make sure that the power supply is disconnected before you mount, adjust, modify, maintain or repair the product.
- ▶ Whenever work is carried out on the product, make sure that the product cannot be actuated by mistake.
- ▶ Perform maintenance tasks, renovation work or attachment work outside of the machine's danger zone when possible.
- ▶ Do not reach into the operational range of the product.
- ▶ Observe the specified maintenance intervals and specifications regarding the quality of the operating material.
- ▶ When using the product under extreme conditions, adjust the maintenance interval according to the degree of contamination.

CAUTION**Notes and handling regulations for electrostatically sensitive components**

Electrostatically sensitive components are individual components, integrated circuits or assemblies that can be damaged by electrostatic fields or electrostatic discharge.

- ▶ When handling electrostatic components, make sure that persons, the work area and packaging are all fully grounded.
- ▶ Touch electronic components only in appropriately identified areas with conductive flooring and only if:
 - You are grounded by means of special bracelets.
 - You wear shoes that are suitable and approved for the discharge of electrostatic charges.
- ▶ Do not bring electronic assemblies into contact with plastics and parts of clothing that have plastic content.
- ▶ Store electronic assemblies on conductive underlays only.
- ▶ Do not install electronic assemblies in the vicinity of data back-up devices or monitors (monitor distance > 100 mm).
- ▶ Perform measurements on electronic assemblies only if:
 - The measuring instrument is grounded (e.g. via a ground conductor).
 - The measuring head is momentarily discharged before measuring with a floating measuring instrument.

WARNING**Risk of injury caused by suspended loads**

Improper handling of suspended loads can cause serious injury.

- ▶ Always keep an adequate safety distance from suspended loads.
- ▶ Never walk underneath a suspended load.

3 Proper use

NOTICE



The product is only to be used in its original state with its original accessories, with no unauthorized changes and within the stipulated parameter limits and operating conditions.

Any other or secondary use is deemed improper.

- ▶ Operate the product only in compliance with the associated installation and operating instructions.
 - ▶ Operate the product only when it is in a technical condition that corresponds to the guaranteed parameters and operating conditions.
- ⇒ Zimmer GmbH shall accept no liability for any damage caused by improper use. The operator bears sole responsibility.

The product is designed specifically for (cooperative/collaborative) use on robot systems and in combination with the MATCH quick-change system.

The product is designed exclusively for electric operation using a 24 V DC power supply.

The product must always be mounted on materials that dissipate heat.

The product is intended for industrial use.

The product is to be used as intended in enclosed rooms for temporary gripping, handling and holding.

The product is not suitable for clamping workpieces during a machining process.

Direct contact with perishable goods/food is not permitted.

Observance of the technical data and of the installation and operating instructions are part of proper use.

4 Personnel qualification

Installation, commissioning and maintenance may only be performed by trained specialists. These persons must have read and understood the installation and operating instructions in full.

5 Product description

CAUTION



Reduction of the gripping force can cause personal injury and material damage

When flexible components are gripped, the gripping force of the product is reduced.

Reduced gripping force can lead to personal injury or material damage, because the components that are being gripped can no longer be securely gripped and transported.

NOTICE



► Make sure that the setting of the gripping force and the selection of the gripper finger length are correct to prevent incorrect bracing of the gripper jaws.

⇒ An incorrect configuration or selection can lead to malfunction

The end-of-arm platform of Zimmer Group is equipped with an extensive portfolio of functions and with universal communication interfaces. MATCH is compatible with any lightweight construction robot. The system can be mounted to the robot flange and set up conveniently with just a few manual adjustments.

The product is a safe quick-change system (end effector with loose part).

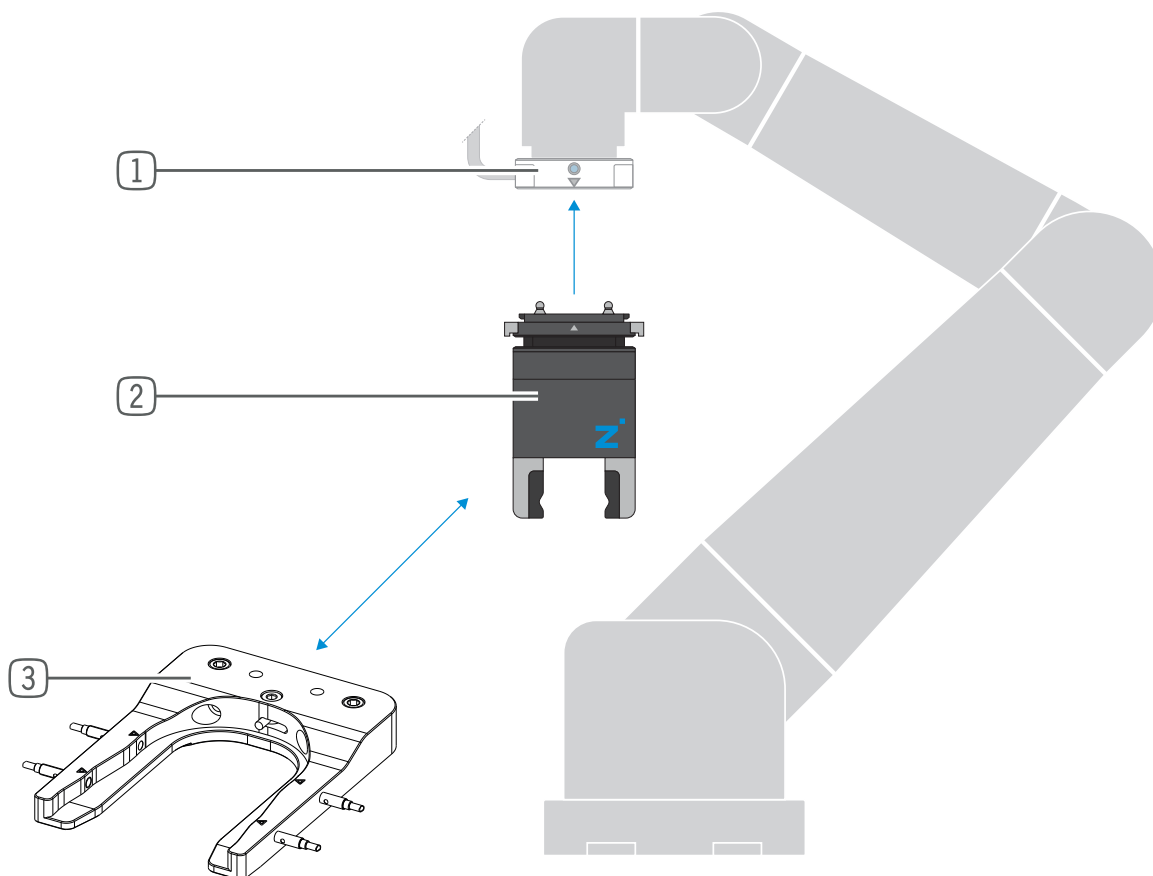
An electric gripper with IO-Link is installed in the product.

The basic and proven safety principles from DIN EN 13849-1 can be complied with only if original parts from Zimmer GmbH are used.

The original parts from Zimmer GmbH required for the safety principles are:

- ① Stationary part (LWR50F-XX)
- ② End effector with loose part (LWR50L-XX)
- ③ Storage station (ALWR1-50-A) (sensors optional)

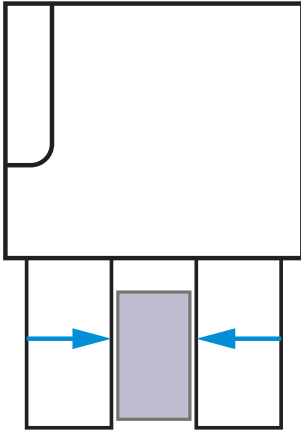
For the overall safety of the function, all three components (stationary part, end effector with loose part, and storage station) must be taken into account (see "Functional Safety" section).



5.1 Possible applications

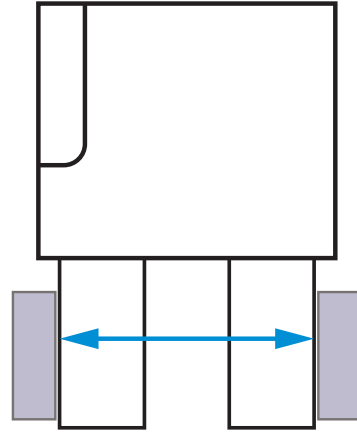
outside gripping

The product can be used for outside gripping.



inside gripping

The product can be used for inside gripping.



5.2 Forces and torques

INFORMATION



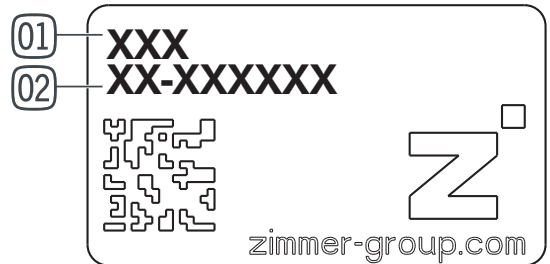
- ▶ You can find the information in the technical data sheet on our website.
- ▶ Please contact Zimmer Customer Service if you have any questions.

5.3 Type plate

A type plate is attached to the housing of the product.

The article number and confirmation number are shown on the type plate.

- ① Article number
- ② Confirmation number



5.4 Product variants and compatibility

INFORMATION



- ▶ You can find information about product variants and their compatibility on our website.
- ▶ Please contact Zimmer Customer Service if you have any questions.

5.5 Use in applications

The criteria listed below justify the suitability of the product for use in collaborative applications:

- The product has been designed in accordance with the specifications of ISO/TS 15066.
- The power of the motor in combination with the transmission design and the pre-assembled gripper jaws is not sufficient to generate a gripping force > 140 N upon vulnerable areas of the body.
- The gripping forces generated when gripping soft objects are significantly reduced, since the amount of dynamic force is lowered. Compliance with the maximum permitted gripping force has been verified using a suitable measuring instrument.
- The product is engineered to be inherently safe and is designed with rounded edges and shapes that prevent crushing and shearing points from being created.

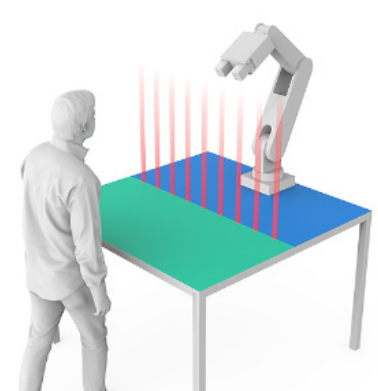
Automation cell

Separated workspaces



Coexistence

Detection of presence



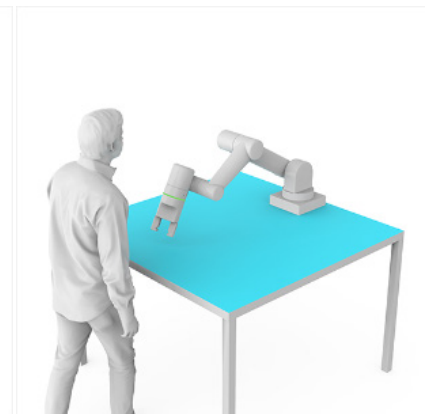
Cooperation

Zones of action



Collaboration

Shared workspaces



6 Functional description

The gripper jaws of the product are arranged parallel to each other on two opposing guide rails and can be moved relative to each other.

The force of the motor is transmitted by a worm drive. A pinion and a rack generate the movement of the gripper jaws and synchronize these movements.

Despite its small installation space, the product is suited for gripping a wide range of form-fit and frictional fit parts.

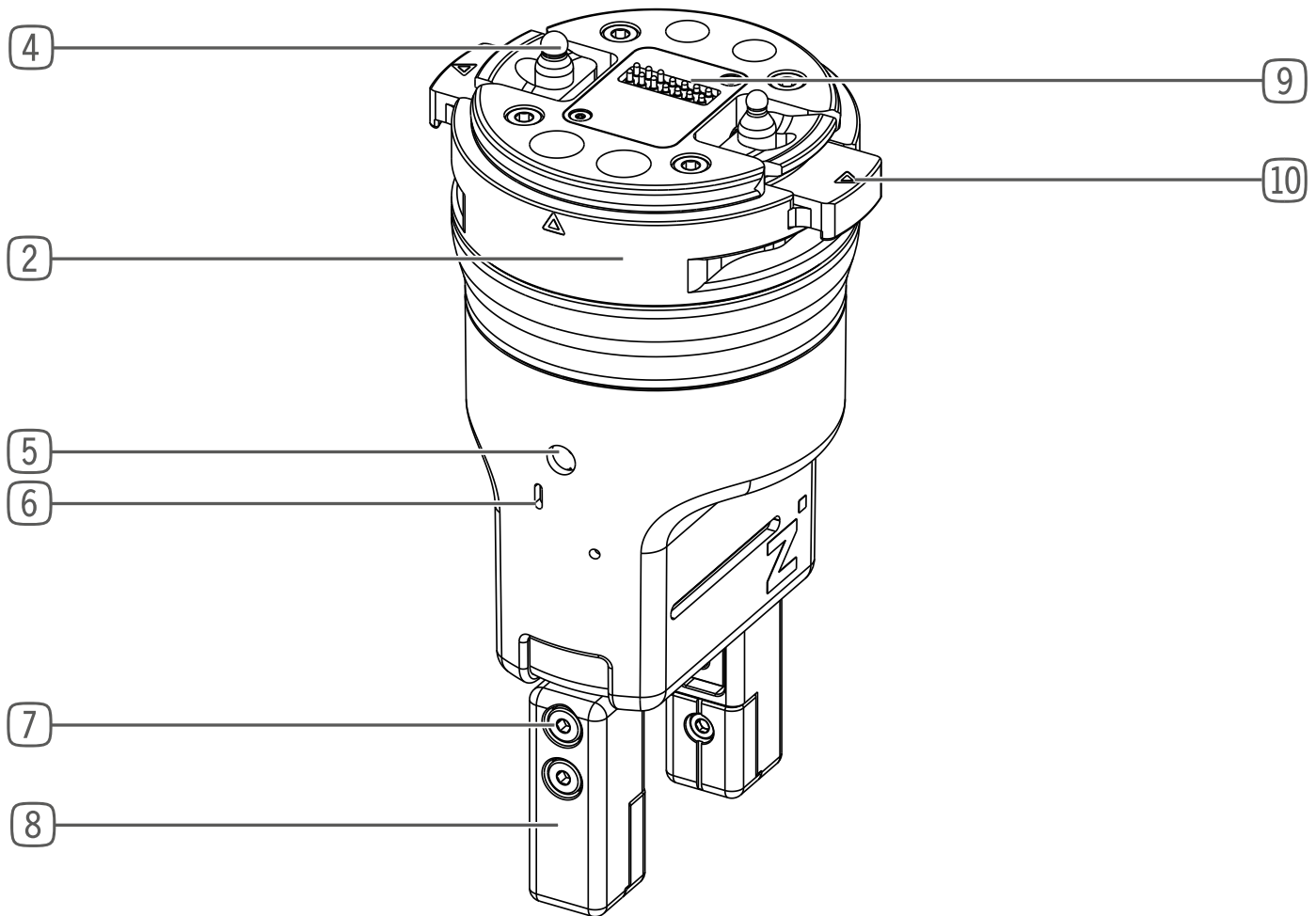
The product can be easily integrated into the existing control system.

The gripping force can be adapted optimally to the workpiece conditions.

You can optionally adjust the gripping force to the workpiece by using the control system via IO-Link.

The product is equipped with a hot-plug function, which allows for the replacement of an end effector with loose part while electrically live.

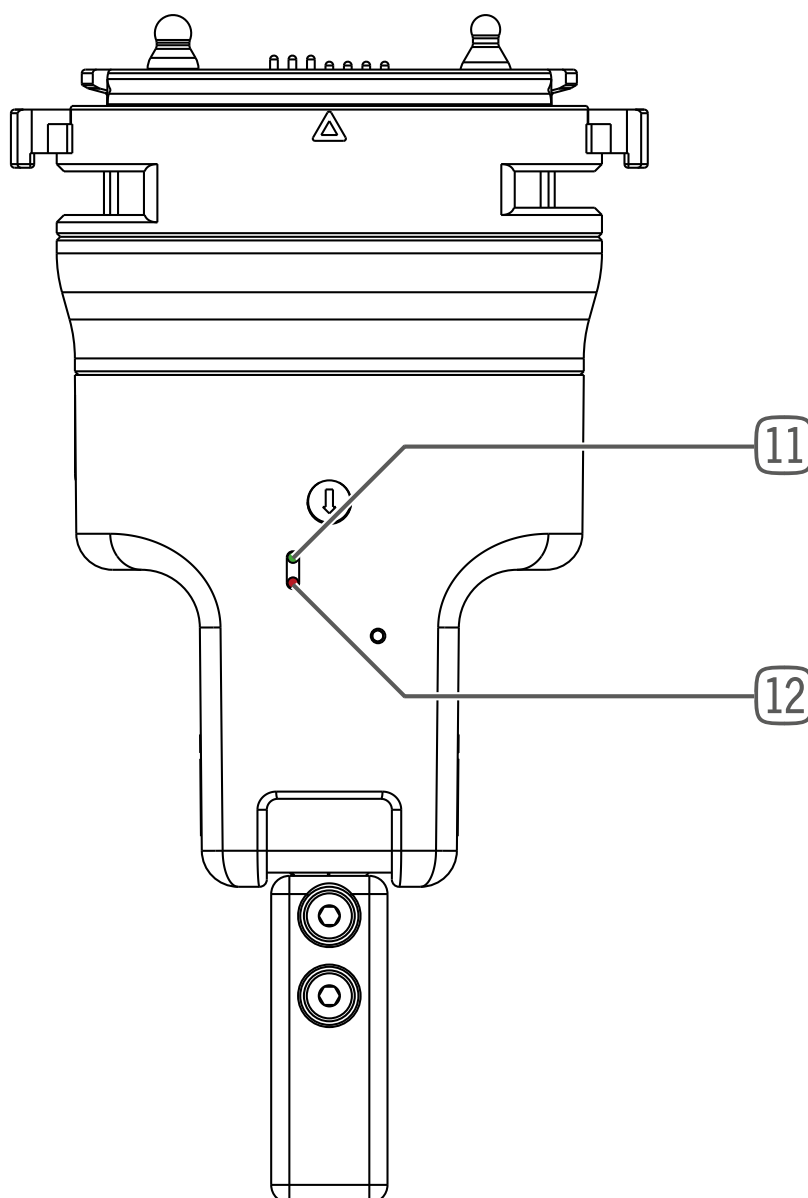
The end effector with loose part is designed in such a way that incorrect insertion into the storage station is impossible.



- | | |
|--|------------------------------|
| ② End effector with loose part for quick-change system | ⑦ Removable centering sleeve |
| ④ Rotation prevention/torque absorption | ⑧ Gripper jaw |
| ⑤ <p>Adjustable gripping force</p> | ⑨ Signal transmission |
| ⑥ LED display | ⑩ Locking |

6.1 LED status display

- ⑪ Power/communication
- ⑫ Error



6.2 Sensors

Example image of a combination consisting of a stationary part, end effector with loose part, and storage station.

Check up to two sensors in the storage position to see whether the end effector with loose part is present in the storage station.

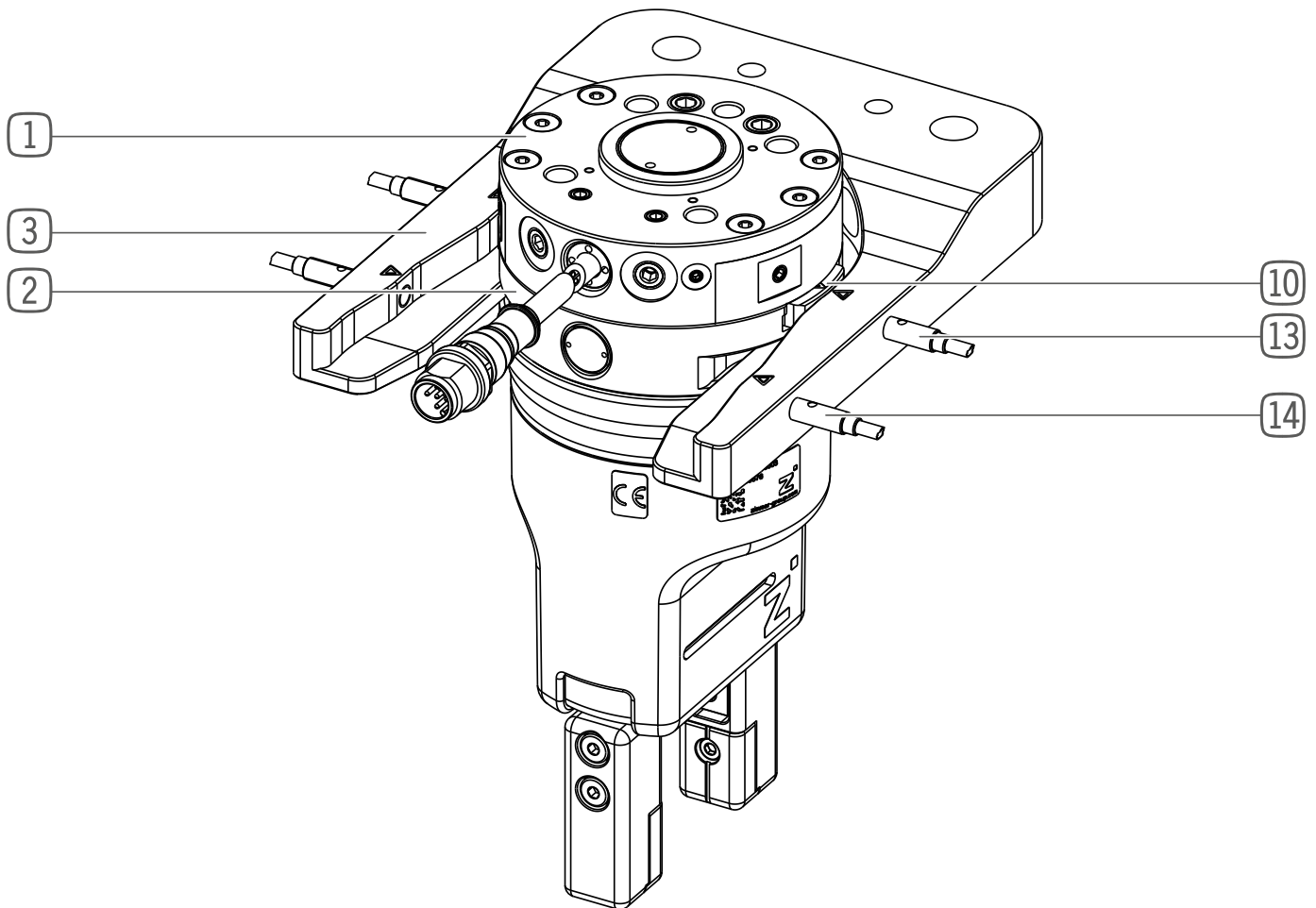
Then move the stationary part onto the end effector with loose part from above. The centering pins of the end effector with loose part help in insertion.

The robot, along with the stationary part and end effector with loose part, moves to the inspection position sensors in the storage station.

The two sensors in the inspection position (test channel) respond if the lockings are extended and make contact in the stationary part.

When the stationary part and end effector with loose part are joined, the internal spring-pin contacts for signal transmission are contacted.

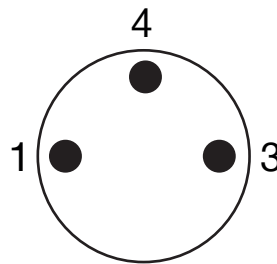
Then the Connect LED changes color from red to green and a Connect signal (depending on the variant) is passed to the higher-level control system.



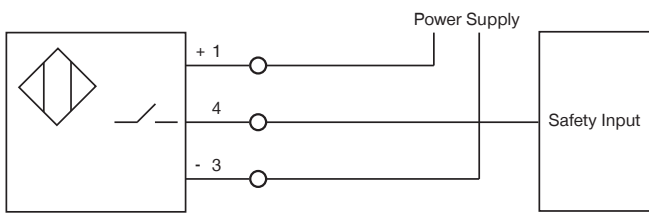
- | | |
|--|---|
| ① Fixed part for quick-change system | ⑩ Locking |
| ② End effector with loose part for quick-change system | ⑬ Sensor in storage position (end effector with loose part present) |
| ③ Storage station | ⑭ Sensor in inspection position (test channel, locking extended) |

6.2.1 Wiring diagram sensor system

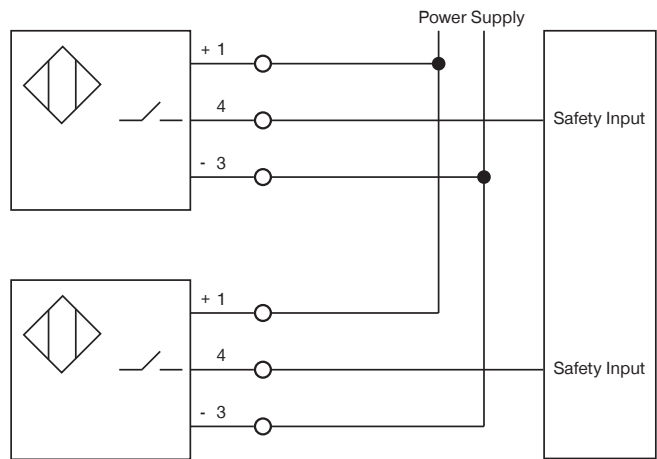
Sensor plug connection M8 3-pin:



Graphical symbol for sensor in storage position



2 sensors in inspection position connected in series

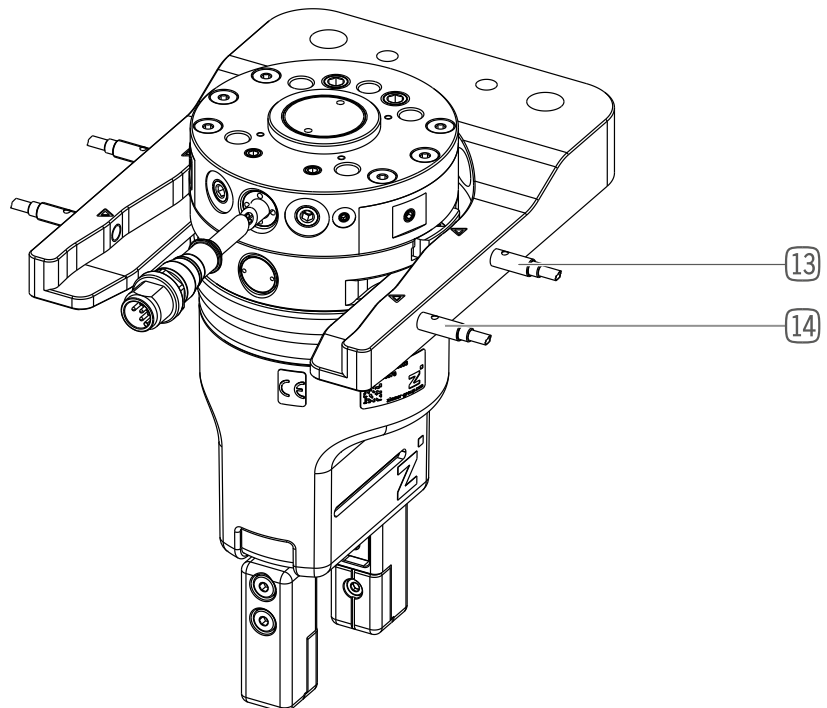


6.2.2 Adjust the sensors in the inspection position

- ▶ Bring the markings on the locking elements of the end effector with loose part to the position of the front markings of the storage station.
- ▶ Turn in the sensors until they emit a signal.
- ▶ Fasten the sensors at this position.
- ▶ Coat the sensors with sealing lacquer.

6.2.3 Adjust the sensors in the storage position

- ▶ Position an end effector with loose part in the storage station.
- ▶ Turn in the sensors until they emit a signal.
- ▶ Coat the sensors with sealing lacquer.



- 13 Sensor in storage position (end effector with loose part present)
- 14 Sensor in inspection position (test channel, locking extended)

6.3 Functional safety

For the overall safety of the function, all three components (stationary part, end effector with loose part and storage station) must be taken into account.

The safety function that ensures secure locking between the stationary part and end effector with loose part of the product is implemented via two redundant action channels that consist of a mechanical locking and springs.

Technical supplementary safety measures (sensors) provide a high degree of diagnostic coverage. The product can thus be classified into control category 3 in accordance with Chapter 6.2.6 of DIN EN ISO 13849-1. According to Figure 5, Chapter 4.5.4 of the specified standard, the PL d can be achieved with this product.

Fault elimination in accordance with DIN EN ISO 13849-2, Annex A, Table A2 and A3 for the helical compression springs used can be given.

6.4 Control

INFORMATION



- ▶ You can find the information in the technical data sheet on our website.
- ▶ Please contact Zimmer Customer Service if you have any questions.

6.5 Verified configuration examples

INFORMATION



- ▶ You can find the information in the technical data sheet on our website.
- ▶ Please contact Zimmer Customer Service if you have any questions.

6.6 Self-locking mechanism

INFORMATION



- The product has a mechanical self-locking mechanism to ensure that the workpiece remains held by the product in the event of power supply loss or failure (e.g. an emergency stop).
- ▶ Please contact Zimmer Customer Service if you have any questions.

7 Technical data

INFORMATION



- ▶ You can find the information in the technical data sheet on our website.
- This data varies within the series, depending on the specific design.
- ▶ Please contact Zimmer Customer Service if you have any questions.

7.1 Electrical specifications

INFORMATION



- ▶ You can find the information in the technical data sheet on our website.
- This data varies within the series, depending on the specific design.
- ▶ Please contact Zimmer Customer Service if you have any questions.

7.2 Protection class

NOTICE



The product achieves protection class IP40 in all mounted positions of installation.

8 Accessories/scope of delivery

INFORMATION



- If any accessories not sold or authorized by Zimmer GmbH are used, the function of the product cannot be guaranteed. Zimmer GmbH accessories are specifically tailored to the individual products.
- ▶ For optional accessories and those included in the scope of delivery, refer to our website.

9 Transportation/storage/preservation

- ▶ Transport and storage of the product must be done only with the original packaging.
- ▶ If the product has already been installed on the superordinate machine unit, care must be taken during transport to ensure that no unexpected movements can occur.
 - ▶ Before commissioning the product and after transport, check all power and communication connections as well as all mechanical connections.
- ▶ If the product is stored for an extended period, the following points are to be observed:
 - ▶ Keep the storage location as dust-free and dry as possible.
 - ▶ Avoid temperature fluctuations/observe and adhere to the temperature range.
 - ▶ Avoid wind/drafts/water condensation formation.
 - ▶ Cover the product with a weatherproof, tear-resistant foil to prevent dust.
 - ▶ Pack the product and do not expose it to direct sunlight during storage.
- ▶ Clean all components. There must be no soiling left on the components.
- ▶ Visually inspect all components.
- ▶ Remove all foreign substances.
- ▶ Properly remove potential corrosion spots.
- ▶ Close electrical connections using suitable covers.

10 Installation

WARNING



Risk of injury due to uncontrolled movements

Risk of injury in case of unexpected movement of the machine or system into which the product is to be installed.

- ▶ Switch off the energy supply of the machine before any work.
- ▶ Secure the power supply against being switched on unintentionally.
- ▶ Check the machine for any residual energy that may be present.

CAUTION



Risk of injury due to uncontrolled movements

Risk of injury in the event of uncontrolled movement of the product when the power supply is connected.

- ▶ Switch off the power supply to the machine before carrying out any work.
- ▶ Secure the power supply against unintentional switch-on.
- ▶ Check the machine for any residual energy.
- ▶ Secure the power supply against being switched on unintentionally.
- ▶ Check the machine for any residual energy that may be present.

NOTICE



- ▶ Installation may only be carried out by qualified personnel in accordance with these installation and operating instructions.
- ▶ Switch off the power supply before any assembly, installation or maintenance work.

10.1 Installing the product

INFORMATION



- ▶ For information, refer to the installation and operating instructions of the fixed part on our website.
 - LWR50F

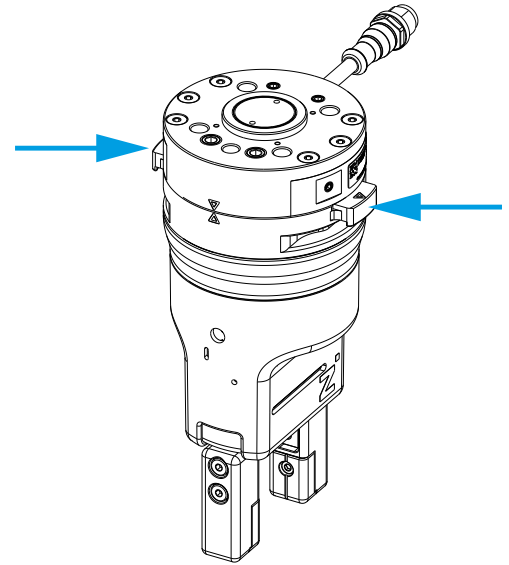
Fasten the product on the stationary part. No assembly work is necessary for the product. The end effector is already connected to the loose part.

10.1.1 Installing the stationary part and end effector with loose part

Example image of a combination consisting of a stationary part, end effector with loose part, and storage station.

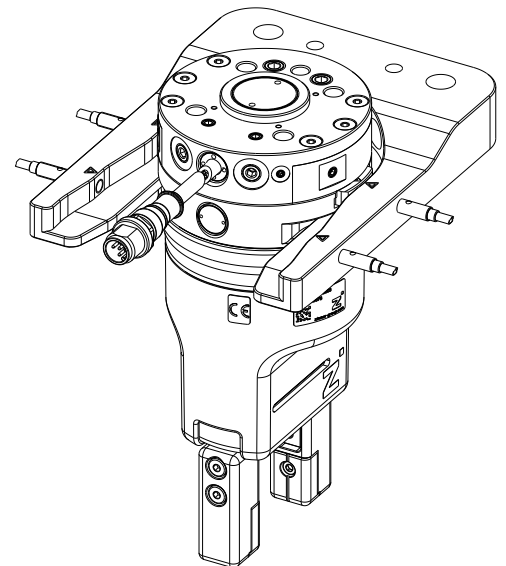
Manual exchange:

The end effector with loose part can be installed on the fixed part and locked manually.



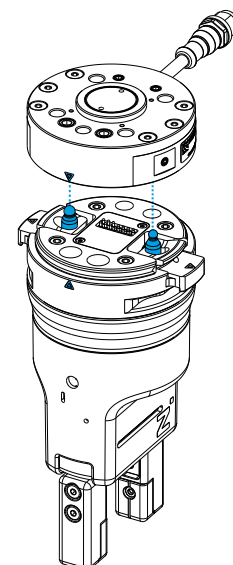
Automatic exchange:

The stationary part is moved to the end effector with loose part in the storage station and locked by means of the storage station (see "Sensors" section).



Rotation prevention:

The design rules out incorrect joining, as the end effector with loose part is equipped with two different bolts.



10.2 Installing the energy supply

NOTICE



Installation of voltage supply is done internally. This means that the end effector with loose part is equipped with internal contacts. These contacts transmit all signals.

- ▶ The contacts of the energy supply must be dry, clean and undamaged at all times.
- ⇒ Damage to the contacts can result in malfunction of the product.

10.3 Static charge

CAUTION



Non-compliance may result in material damage.

- ▶ Grounding the product is recommended if ESD sensitive parts come into contact with the product.
- ▶ Grounding is also recommended in applications that require high EMC shielding.

The movement of the gripper jaws creates low voltages as a result of static charging. These charges cannot be dissipated if the product is mounted on an insulating surface and if discharge is also not possible through the workpiece.

10.4 Heat dissipation

In the event of high ambient temperatures, the product must be installed on heat-dissipating materials.

If the product is operated under very high ambient temperatures and with fast clock cycles on an ongoing basis, this might reduce its service life.

INFORMATION



The product must always be mounted on materials that dissipate heat.

If the product is operated under very high ambient temperatures and with fast clock cycles on an ongoing basis, this might reduce its service life.

- ⇒ The cycle time must therefore be reduced as the temperature increases.

10.5 Installing accessories

NOTICE



Before installing an accessory, make sure it is suitable for use with the selected variant.

- ▶ You can find information on our website.
- ▶ Please contact Zimmer Customer Service if you have any questions.

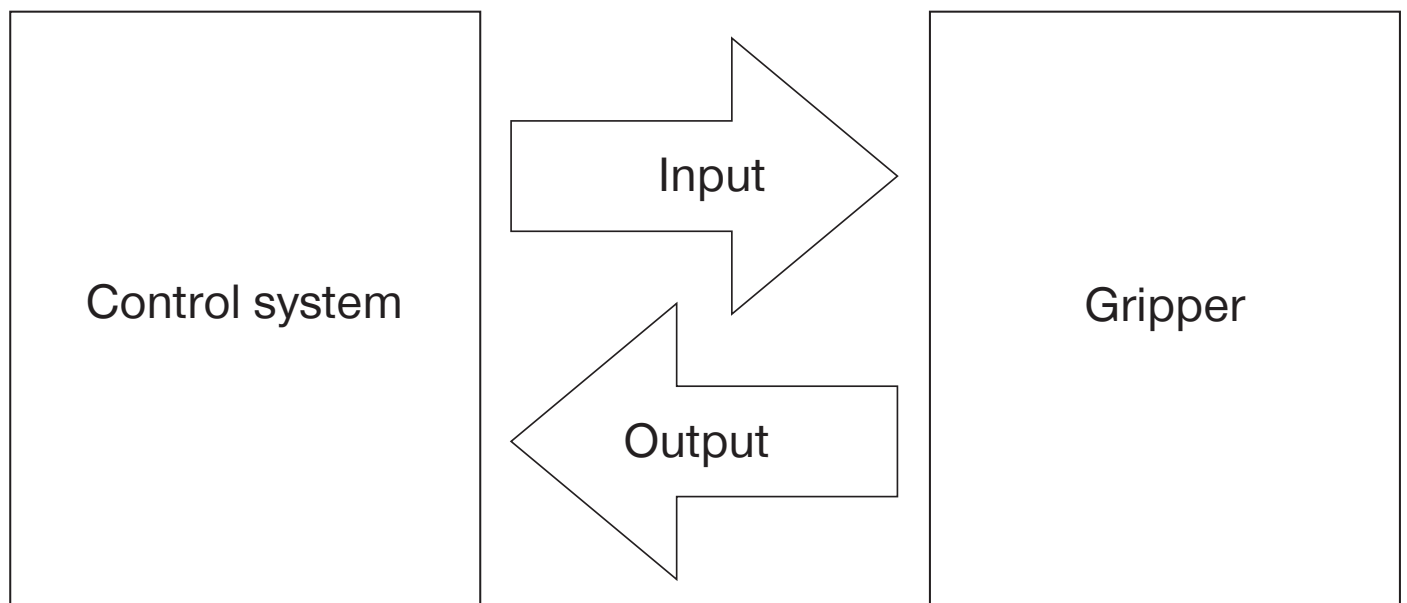
11 Commissioning

11.1 Process data

There is an option to control the product only with the process data that is transmitted in each cycle.

Outputs: Process data from the IO-Link master to the product!

Name	Data type
ControlWord	UINT16
DeviceMode	UINT8
WorkpieceNo	UINT8
Reserve	UINT8
PositionTolerance	UINT8
GripForce	UINT8
DriveVelocity	UINT8
BasePosition	UINT16
Reserve	UINT16
TeachPosition	UINT16
WorkPosition	UINT16



Name	Data type
StatusWord	UINT16
Diagnosis	UINT16
ActualPosition	UINT16

11.2 IODD Import

- ⇒ As soon as the hardware configuration is complete and the IO-Link connection to the product is established, data will be displayed in the process input data.
- ⇒ Some control systems demand a byte swap to bring this process data into a logical sequence.
- ▶ Look at bit 6 (GripperPLCActive) in the StatusWord to determine whether a byte swap is necessary.
 - ▶ Determine whether bit 6 is active in the first or second byte of the StatusWord.
 - ⇒ Bit 6 is active in the first byte: The bytes already have the correct sequence.
 - ▶ Continue with the commissioning.
 - ⇒ Bit 6 is active in the second byte.
 - ▶ Apply a byte swap, refer to the "StatusWord" section.
- ▶ Import the IODD (device description) into the control system.
 - ▶ Go to our website.
 - ▶ Select the desired product.
 - ▶ Download the corresponding .zip file via the Download IODD link.
- ⇒ You will need the .zip file for import into the control system.

INFORMATION



The product is controlled via IO-Link by means of the cyclical process data as well as the acyclic service data with a cycle time of 5 ms.

- ▶ It is mandatory to verify the process data!

11.3 Handshake Data Transfer Method

The handshake method makes it possible to transfer the process data about the product. All process data described in the following sections must be transferred with the handshake.

- ▶ Send the ControlWord = 0x0001 to the product.
- ⇒ The data transfer was started.
- ▶ Check the response of the product by using Statusbit 12 = TRUE (data transfer OK).
- ▶ Send the ControlWord = 0x0000 to stop the data transfer.
- ⇒ The data transmission is complete when the product sends back Statusbit 12 = DataTransferOK = FALSE.

INFORMATION



- ▶ For examples, refer to the "Quickstart Basic Parameters" section.

11.4 Parameters

11.4.1 ControlWord

NOTICE



In the ControlWord parameter, only one single bit or the value 0 may be set at a time. Only the values listed in the following table are valid.

Parameter	Decimal value	Hexadecimal value
DataTransfer	1	0x0001
WritePDU	2	0x0002
ResetDirectionFlag	4	0x0004
Teach	8	0x0080
MoveToBase	256	0x0100
MoveToWork	512	0x0200
JogToWork +	1024	0x0400
JogToBase -	2048	0x0800
ErrorReset	32768	0x8000

Name	ControlWord
Data format	UINT16
Permission	Write
Transfer	Cyclical
Value range	0 ... 65535

	Bit 15	Bit 14	Bit 13	Bit 12	Bit 11	Bit 10	Bit 9	Bit 8
Byte 1	ErrorReset	-	-	-	JogToBase	JogToWork	MoveToWork	MoveToBase
	Bit 7	Bit 6	Bit 5	Bit 4	Bit 3	Bit 2	Bit 1	Bit 0
Byte 0	-	-	-	-	Teach	ResetDirectionFlag	WritePDU	DataTransfer

Bit 0: DataTransfer

When this bit is set, the product accepts the data transferred in the process data.

Bit 1: WritePDU

Setting this bit tells the product that it should write the current process data to the selected workpiece recipe.

Bit 2: ResetDirectionFlag

Setting this bit tells the product that the direction flag needs to be reset. This makes a repeated movement to a position possible. This is logical during a switchover of workpiece recipes.

Bit 3: Teach

Setting this bit tells the product to save the current position as the TeachPosition in the selected WorkpieceNo. This only works if there is no "0" that is transmitted in the workpiece number.

Bit 8: MoveToBase

Setting this bit tells the product to move toward the BasePosition.

Bit 9: MoveToWork

Setting this bit tells the product to move toward the WorkPosition.

Bit 10: JogToWork

Setting this bit in the ControlWord puts the product in jog mode and slowly moves it toward the WorkPosition. If the bit is reset, the product stops.

Bit 11: JogToBase

Setting this bit in the ControlWord puts the product in jog mode and slowly moves it toward the BasePosition. If the bit is reset, the product stops.

Bit 15: ErrorReset

This bit can be used to acknowledge all errors that can be reset. Whether an error can be reset is shown in the "Error Diagnosis" section.

11.4.2 DeviceMode

INFORMATION



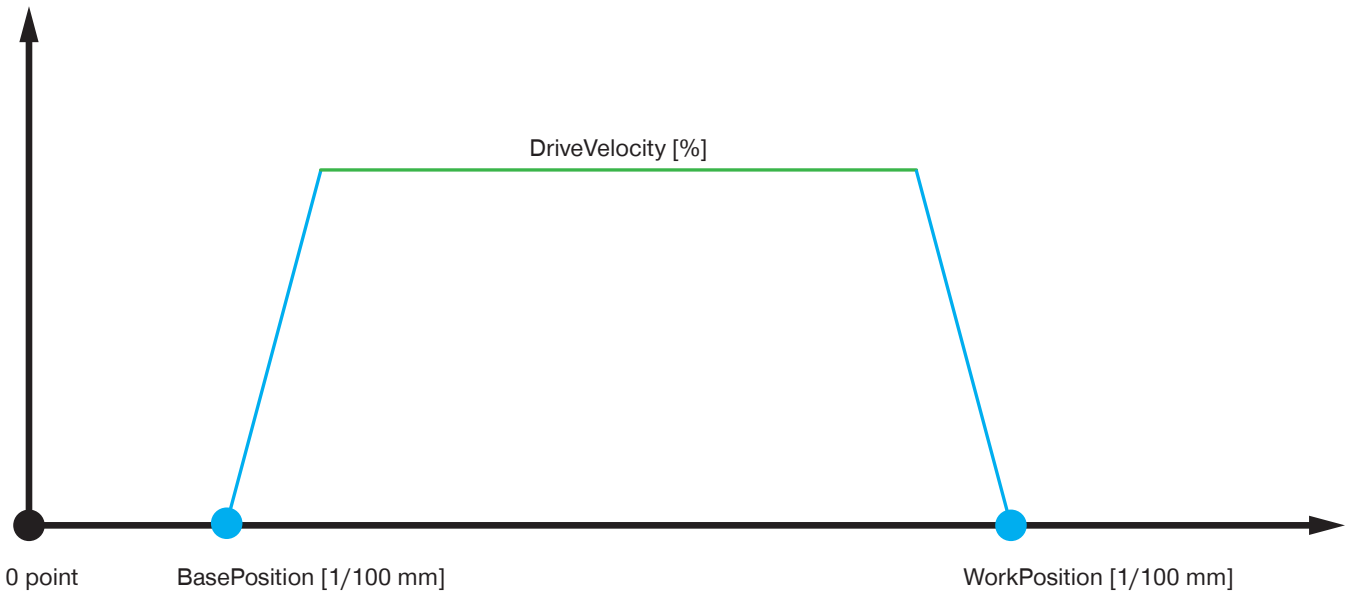
DeviceMode is used to select one of the following travel modes: universal operation, outside gripping or inside gripping. Zimmer GmbH recommends DeviceMode 63, 73 and 103.

Input	Mode	Description
63	Outside gripping with subsequent current feed	Like Mode 60, but with an activated subsequent current feed for a time of 500 ms when the direction of movement is Work. To achieve the best gripping results, the gripped workpiece must be transported further during the subsequent current feed.
73	Inside gripping with subsequent current feed	Like Mode 70, but with an activated subsequent current feed for a time of 500 ms when the direction of movement is Base. To achieve the best gripping results, the gripped workpiece must be transported further during the subsequent current feed.
103	Universal operation with subsequent current feed	Like Mode 100, but with an activated subsequent current feed for a time of 500 ms in both directions. To achieve the best gripping results, the gripped workpiece must be transported further during the subsequent current feed.
11	Activate jog mode.	Product is in jog mode and moves slowly in the selected direction as long as the respective bit is active in the ControlWord.
50	Positioning mode	Product moves in the PositionProfile. The movement speed is configured using the DriveVelocity parameter.
60	outside gripping	Inward with the desired gripping force and speed, outward at high speed.
70	inside gripping	Outward with the desired gripping force and speed, inward at high speed.
100	Universal mode	Inside and outside gripping, both movements at the same speed.

Name	DeviceMode
Data format	UINT8
Permission	Write
Transfer	Cyclical
Value range	11, 50, 60, 63, 70, 73, 100, 103

11.4.2.1 PositionProfile

This mode can be used for positioning the product or for form-fit gripping.



Parameter	Description
BasePosition	Open position
WorkPosition	Closed position
GripForce	Not used
TeachPosition	Not used
PositionTolerance	Not used
DriveVelocity	Movement speed

The movement speed is configured using the DriveVelocity parameter.

The TeachPosition does not have any significance in this mode, because the BasePosition or WorkPosition is always approached precisely.

If the product encounters an obstacle in this mode while moving, it stops and issues an error message.

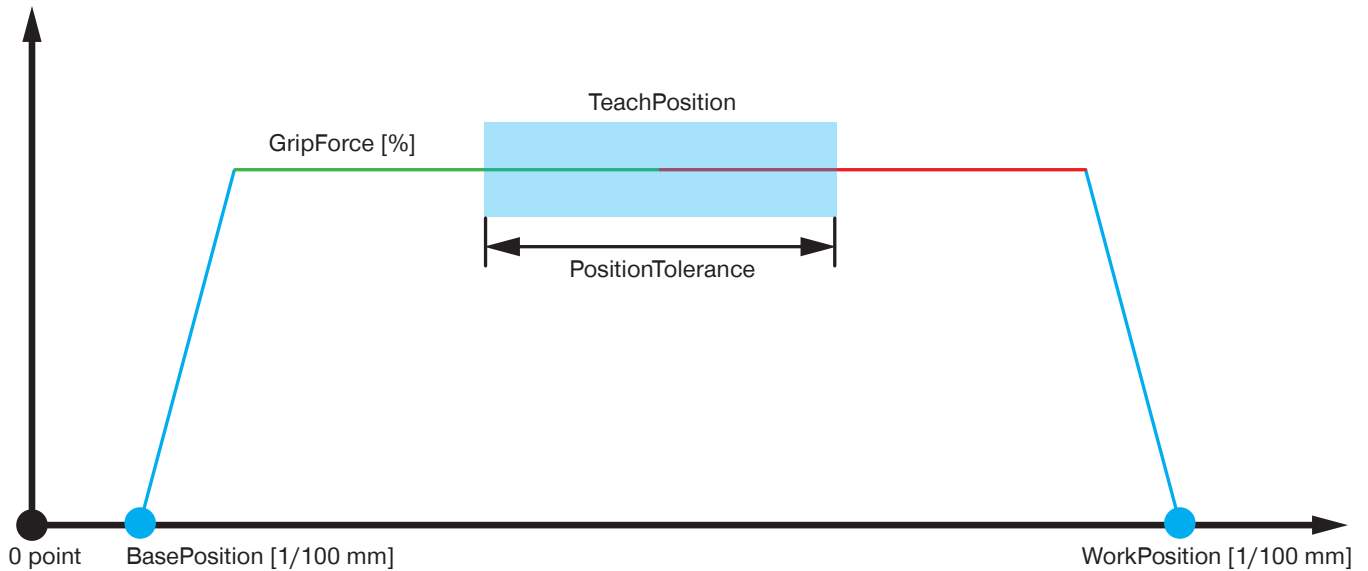
The product can be moved from the obstacle back to the starting position if the command is switched in the ControlWord.

No defined gripping forces can be generated in this mode. As a result, friction-locked gripping is not permitted in this mode.

11.4.2.2 ForceProfile

This mode can be used for form fit gripping.

The gripping force is built up by the movement speed of the jaws and the motor current. When gripping a workpiece, an independent mechanical locking system in the mechanical system is reached that makes it possible to hold the workpiece de-energized.



Parameter	Description
BasePosition	Open position
WorkPosition	Closed position – behind the workpiece
GripForce	Desired gripping force
TeachPosition	Expected position of the workpiece
PositionTolerance	Permitted tolerance for the workpiece
DriveVelocity	Opening speed

Since gripping should occur in one direction only, the positioning mode is used automatically in the opposite direction. To do this, the product switches into positioning mode automatically when moving in the opening direction.

The movement profile determines the direction in which the workpiece is gripped:

- Outside gripping: Movement profile group 60
- Inside gripping: Movement profile group 70

NOTICE



The product begins the braking process shortly before reaching the desired position in order to be able to position itself exactly at the set WorkPosition and BasePosition.

Braking ahead of the target position can be deactivated using the following parameters in order ensure that full gripping force is reached:

DeviceMode	Parameters for disabling the braking ramp
60, 63 (outside gripping)	WorkPosition = max. position, see "WorkPosition Parameter" section
70, 73 (inside gripping)	BasePosition = 0

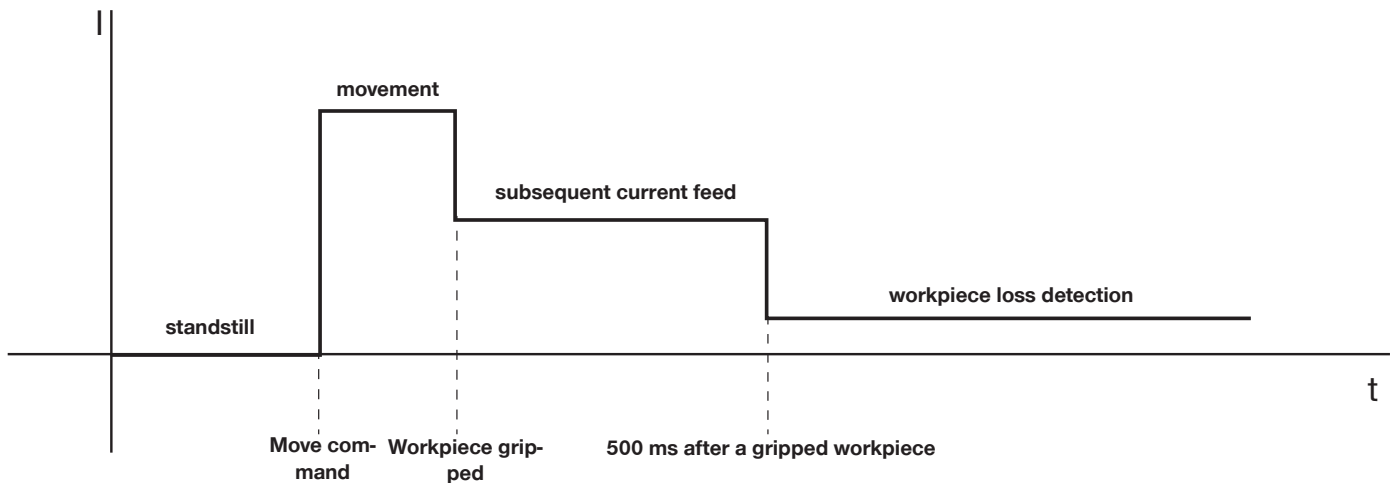
Mode Group 60 – typically used for outside gripping

DeviceMode	Action	ControlWord
63	Move toward the WorkPosition until this position or the workpiece is reached.	0x0200
63	Move toward the BasePosition to open the product.	0x0100

Mode Group 70 – typically used for inside gripping

DeviceMode	Action	ControlWord
73	Move toward the BasePosition until this position or the workpiece is reached.	0x0100
73	Move toward the WorkPosition for opening the product.	0x0200

11.4.2.3 Current feed profile for a gripping process with DeviceMode 63, 73, 103



11.4.3 WorkpieceNo

The workpiece number is used for selecting the previously stored workpiece data, as well as for selecting the WorkpieceNo data record in which the current process data is stored.

WorkpieceNo enables individual workpieces to be taught in to the product very quickly if the recipes are not managed on the control system.

INFORMATION



For example codes, refer to the "Quickstart Basic Parameters" and "Recipe Examples" sections.

Name	WorkpieceNo
Data format	UINT8
Permission	Write
Transfer	Cyclical
Value range	0 ... 32

At a value > 0, the corresponding workpiece recipe is loaded in the product.

11.4.4 PositionTolerance

Used to configure the position tolerance with a resolution of 0.01 mm.

Thus, the value range of 0 to 255 can be used to set a maximum tolerance of 2.55 mm in both directions.

INFORMATION



Example:

For TeachPosition 1500 (15.00 mm), PositionTolerance 150 lets you configure a tolerance of 1.50 mm in both directions.

This means that the TeachPosition range starts at 13.50 mm and goes all the way up to 16.50 mm.

Name	PositionTolerance
Data format	UINT8
Permission	Write
Transfer	Cyclical
Value range	0 ... 255

11.4.5 GripForce

The product can use various gripping forces and gripping speeds to achieve an optimized flow of the gripping process. Since the product generates gripping force from its gripping speed in combination with the amperage, the gripping force setting also conversely influences the gripping speed and amperage. The gripping force can be adjusted to various stages. You can set the required gripping force to 4 stages.

INFORMATION



- ▶ For the values for the gripping force, refer to the technical data sheet on our website.
- This data varies within the series, depending on the specific design.
- ▶ Please contact Zimmer Customer Service if you have any questions.

Name	GripForce	
Data format	UINT8	
Permission	Write	
Transfer	Cyclical	
Value range	1	Level 1
	2	Level 2
	3	Level 3
	4	Level 4

11.4.6 DriveVelocity

The product can work at various movement speeds for an optimized process sequence. This parameter determines the movement speed of the product in both directions in PositionProfile. In the other modes, this parameter determines the movement speed from the workpiece.

INFORMATION



- ▶ For the values for the speed, refer to the technical data sheet on our website.
- This data varies within the series, depending on the specific design.
- ▶ Please contact Zimmer Customer Service if you have any questions.

Name	DriveVelocity	
Data format	UINT8	
Permission	Write	
Transfer	Cyclical	
Value range	1	Level 1
	2	Level 2
	3	Level 3
	4	Level 4

11.4.7 BasePosition

The BasePosition defines the target position in the MoveToBase direction. It must always be less than the WorkPosition. The product verifies this and, if necessary, displays an error message.

If the current position of the product within the tolerance range is in the vicinity of the BasePosition, bit 8 is set in the StatusWord.

Name	BasePosition
Data format	UINT16
Permission	Write
Transfer	Cyclical
Value range	0 ... WorkPosition

11.4.8 TeachPosition

TeachPosition is used to tell the product at which position the workpiece is expected. The PositionTolerance functions around this position. Thus, the product can distinguish whether a correct or incorrect workpiece has been gripped. Confirmation that the correct workpiece has been gripped is communicated to the control system via StatusWord. If the detection is correct, the Teach bit is set, thereby giving the user the option to monitor this work step.

With the position measuring system, it is possible to achieve a TeachPosition accuracy of +/- 0.05 mm.

► Use the following values:

Product	BasePosition	WorkPosition	TeachPosition
Serie LWR50L-03	0	2000	0 ... 2000

Name	TeachPosition
Data format	UINT16
Permission	Write
Transfer	Cyclical
Value range	0 to max. jaw stroke of the product

11.4.9 WorkPosition

The WorkPosition defines the maximum travel path of the product and has to be greater than the BasePosition.

Name	WorkPosition
Data format	UINT16
Permission	Write
Transfer	Cyclical
Value range	BasePosition to max. jaw stroke of the product

11.4.10 StatusWord

StatusWord structure:

	Bit 15	Bit 14	Bit 13	Bit 12	Bit 11	Bit 10	Bit 9	Bit 8
Byte 1	Error	ControlWord 0x0200	ControlWord 0x0100	DataTransferOK	Undefined- Position	WorkPo- sition	TeachPo- sition	BasePo- sition
	Bit 7	Bit 6	Bit 5	Bit 4	Bit 3	Bit 2	Bit 1	Bit 0
Byte 2	-	Gripper- PLCActive	JogWork- Active +	JogBase- Active -	Movement- Complete	InMotion	MotorON	HomingPo- sition OK

Name	StatusWord
Data format	UINT16
Permission	Read
Transfer	Cyclical
Value range	0 ... 65535

Bit 0: HomingPosition OK

The product is calibrated at the factory and does not have to be referenced by the customer.

Bit 1: MotorON

The motor of the product switches on automatically when there is a move command. The customer cannot switch it on/off manually.

Bit 2: InMotion

This bit is active during the run.

Bit 3: MovementComplete

This bit is active after the movement is complete.

Bit 4: JogBaseActive -

Confirmation during the Jog run in the direction of BasePosition.

Bit 5: JogWorkActive +

Confirmation during the Jog run in the direction of WorkPosition.

Bit 6: GripperPLCActive

Active as soon as the product has booted up after the cold boot. This bit can be used to verify a "byte swap."

Bit 8: BasePosition

Active if the product is set to BasePosition.

Bit 9: TeachPosition

Active if the product is set to TeachPosition.

Bit 10: WorkPosition

Active if the product is set to WorkPosition.

Bit 11: UndefinedPosition

Active if the product is not set to TeachPosition, WorkPosition or BasePosition.

Bit 12: DataTransferOK

This bit is used for data transmission using the handshake. Active as soon as the product has taken over the data using the parameter ControlWord = 1 (decimal).

Bit 13: ControlWord 0x0100

This bit is a direction flag. Active if the last motion task was carried out toward BasePosition.

Bit 14: ControlWord 0x0200

This bit is a direction flag. Active if the last motion task was carried out toward WorkPosition.

Bit 15: Error

Active if the product has an active error. The error message can be determined using Diagnosis.

Name	StatusWord
Data format	UINT16
Permission	Read
Transfer	Cyclical
Value range	0 ... 65535

11.4.10.1 Acknowledging an error

If the product has a fault, the error bit is set in the status word.

- ▶ Reset the fault by sending ControlWord = 0x8000 back.

NOTICE



Not all errors can be reset. For some errors, the error message is not reset after acknowledgment.

In this case, wait until correct values are sent to the product.

Example: Overheating error

INFORMATION



- ▶ Use StatusWord to verify correct gripping.
- ▶ The TeachPosition tolerance can be adjusted in another process parameter.
- ▶ For sensing the correct position via the ACTUAL position, the tolerances and fluctuations of the value must be observed during programming.

11.4.11 Diagnosis

The value returned in Diagnosis corresponds to the error code (see "Error Diagnosis" section).

Name	Diagnosis
Data format	UINT16
Permission	Read
Transfer	Cyclical
Value range	0 ... 65535

11.4.12 ActualPosition

ActualPosition corresponds to the current position of the gripper jaws relative to the full stroke.

The value is specified with a resolution of 0.01 mm.

The values can move between the BasePosition (minimum values) and the WorkPosition (maximum values).

With the position measuring system, it is possible to achieve a position accuracy of +/- 0.05 mm.

Product	BasePosition	WorkPosition
Serie LWR50L-03	0	2000

Name	ActualPosition
Data format	UINT16
Permission	Read
Transfer	Cyclical
Value range	0 to max. jaw stroke of the product

INFORMATION



- ▶ The ActualPosition of the product should be used to check whether a workpiece has been gripped correctly.
 - The position measurement resolution is 0.01 mm.
 - The position measurement accuracy is 0.1 mm.
- ▶ If the ActualPosition is used to detect the workpiece, then fluctuations around the exact value must be taken into account during commissioning.

11.5 Easy Startup

Describes the process from switching on the product to the initial movement.

- ▶ Connect the product according to its assignment diagram.
- ⇒ The product reports the process parameters StatusWord, Diagnosis and ActualPosition immediately after the internal controller is booted up.
- ⇒ As soon as the PLCActive bit is registered in the StatusWord, the communication process can start.
- ▶ Transmit the process parameters to move the product.
 - DeviceMode
 - GripForce
- ▶ Transmit the parameters to the product with a handshake.

INFORMATION



- ▶ For examples, refer to the "Quickstart Basic Parameters" section.

11.6 Quickstart Basic Parameters

In the following example, you see the first initialization of the product, the activation of the motor and the transmission of the process parameters.

```
// Initialization of the product
// Motor switch-on
// Initial move command
// = EasyStartUp Example

IF bStart = TRUE THEN
    iStep          := 10;
END_IF

CASE iStep OF

10:
    IF StatusWord.6 THEN          // Query for PLCActive bit in the StatusWord
        DeviceMode      := 103;  // Command to select the universal mode
        WorkpieceNo     := 0;    // 0 = current process parameters are being used
        PositionTolerance := 50;
        GripForce       := 4;    // Gripping force setting
        BasePosition    := 100;
        TeachPosition   := 1200;
        WorkPosition    := 1200;
        ControlWord     := 1;    // Data transfer to the product
        iStep           := 20;   // Jump to the next step
    END_IF

20:
    IF StatusWord.12 THEN        // Query for DataTransferOK bit in the StatusWord
        ControlWord     := 0;    // Reset of the ControlWord
        iStep           := 30;   // Jump to the next step
    END_IF

30:
    IF NOT StatusWord.12 THEN
        ControlWord     := 512;  // Handshake is completed,
                                // Product moves to WorkPosition (0x0200 or 512(decimal) = MoveToWork)
        iStep           := 100;
    END_IF

100:
    ;                            // Continue with the program
END_CASE
```

11.7 Starting the gripping movement

- ▶ Send ControlWord 0x0200 so that the product moves towards the WorkPosition.
- ⇒ The gripper jaws move towards the inside.
- ▶ Send ControlWord 0x0100 so that the product moves towards the BasePosition.
- ⇒ The gripper jaws move towards the outside.
 - The motion task must be pending for as long as it takes until the desired position is reached.
 - The current motion task is canceled as a result of a new handshake.
- ⇒ When the product reaches the corresponding position, this is displayed in the StatusWord as follows:
 - The product is at the BasePosition: StatusWord bit 8 = TRUE
 - The product is at the TeachPosition: StatusWord bit 9 = TRUE
 - The product is at the WorkPosition: StatusWord bit 10 = TRUE

11.8 Repeated movements in the same direction

The StatusWord includes two static flag bits, each of which is set in alternation when the product moves in one direction. This prevents uncontrolled movements of the product in case of faulty data transmission.

Depending on the location of the positions, it is possible that the product may move multiple times in the same direction. For this purpose, the direction flags must be reset.

- ▶ Send the ControlWord = 0x0004 to delete the direction flags.
- ⇒ The direction flags are reset when the product answers with status bit 13 AND 14 = FALSE.

Program example for repeated movements in the same direction:

```
// Multiple movement in one direction in Structured Text (ST)
// The product is not capable of accepting multiple move commands in the same direction.
// That is why the direction flag has to be reset in the StatusWord.
// In this example, all process parameters are already correctly transferred.
// The previous move command toward the WorkPosition could not be executed
// because the product is being blocked by a workpiece.
// After the workpiece is removed, the direction flag is reset
// and the move command is restarted.

IF bReset = TRUE THEN
    iStep          := 10;
END_IF

CASE iStep OF

10:
    IF Diagnose = 16#307 THEN          // Move command could not be executed.
        iStep          := 20;          // Jump to the error step
        // to reset the direction flag
    END_IF

20:
    ControlWord      := 4;             // Reset the direction flags
    // (ResetDirectionFlag bit = TRUE in the ControlWord)
    iStep            := 30;           // Jump to the next step

30:
    IF NOT StatusWord13 AND NOT      // Query whether both direction flags
    StatusWord14 THEN                // (Bit ControlWord 0x0100 AND
    // ControlWord 0x0200 = FALSE in ControlWord)
        ControlWord      := 512;     // Moves back toward WorkPosition
        iStep            := 100;
    END_IF;

100:
    ;                                // Continue with the program

END_CASE
```

11.9 Recipe examples

11.9.1 Save recipe

The following example code shows how process parameters can be stored in the internal workpiece recipe.

```
// Store tool workpiece recipes in Structured Text (ST)

IF bStart = TRUE THEN
    iStep          := 10;
END_IF

CASE iStep OF

10:
    DeviceMode      := 103;    // Assignment of desired process parameters
    WorkpieceNo     := 3;      // Recipe is to be stored as the third workpiece recipe
    PositionTolerance := 50;
    BasePosition    := 100;
    WorkPosition    := 2000;
    GripForce       := 1;
    TeachPosition   := 500;
    iStep           := 20;    // Jump to the next step

20:
    ControlWord     := 1;      // Begins with the handshake
    iStep           := 30;    // Jump to the next step

30:
    IF StatusWord.12 THEN      // Queries the bit DataTransferOK=TRUE from StatusWord,
                                // Response of the product to transferred data
        ControlWord     := 0;    // Reset the ControlWord
        iStep           := 40;    // Jump to the next step
    END_IF;

40:
    IF StatusWord.12 THEN      // Query for completion of the data transfer,
                                // DataTransferOK = FALSE
        ControlWord     := 2;    // Handshake is completed,
                                // storage starts here via the WritePDU bit in the ControlWord
        iStep           := 50;    // Jump to the next step
    END_IF;

50:
    IF StatusWord.12 THEN      // Queries the DataTransferOK = TRUE bit from StatusWord
        ControlWord     := 0;    // Reset the ControlWord
        iStep           := 60;    // Jump to the next step
    END_IF;

60:
    IF NOT StatusWord.12 THEN  // Query for completion of the data transfer,
                                // DataTransferOK = FALSE
        iStep           := 0;    // Storage is completed
    END_IF;

END_CASE
```

11.9.2 Loading a recipe

The following example code shows how process parameters can be loaded to the internal workpiece recipe.

```
// Load workpiece recipes in Structured Text (ST)
IF bLoad = TRUE THEN
    iStep          := 10;
END_IF

CASE iStep OF

10:
    WorkpieceNo    := 3;    // Load third workpiece recipe
    iStep          := 20;    // Jump to the next step

20:
    ControlWord    := 1;    // Begins with the handshake
    iStep          := 30;    // Jump to the next step

30:
    IF StatusWord.12 THEN           // Queries the bit DataTransferOK=TRUE from StatusWord,
                                    // Response of the product to transferred data
        ControlWord    := 0;    // Reset the ControlWord
        iStep          := 40;    // Jump to the next step
    END_IF;

40:
    IF NOT StatusWord.12 THEN       // Query for completion of the data transfer,
                                    // DataTransferOK = FALSE
        iStep          := 0;    //Handshake is completed,
                                    // Parameters from the third recipe have been taken over into the current process parameters.
    END_IF;
END_CASE
```

12 Operation

NOTICE



In the event of a power failure, the gripper jaws remain in their positions and the gripping force of the product stays constant.

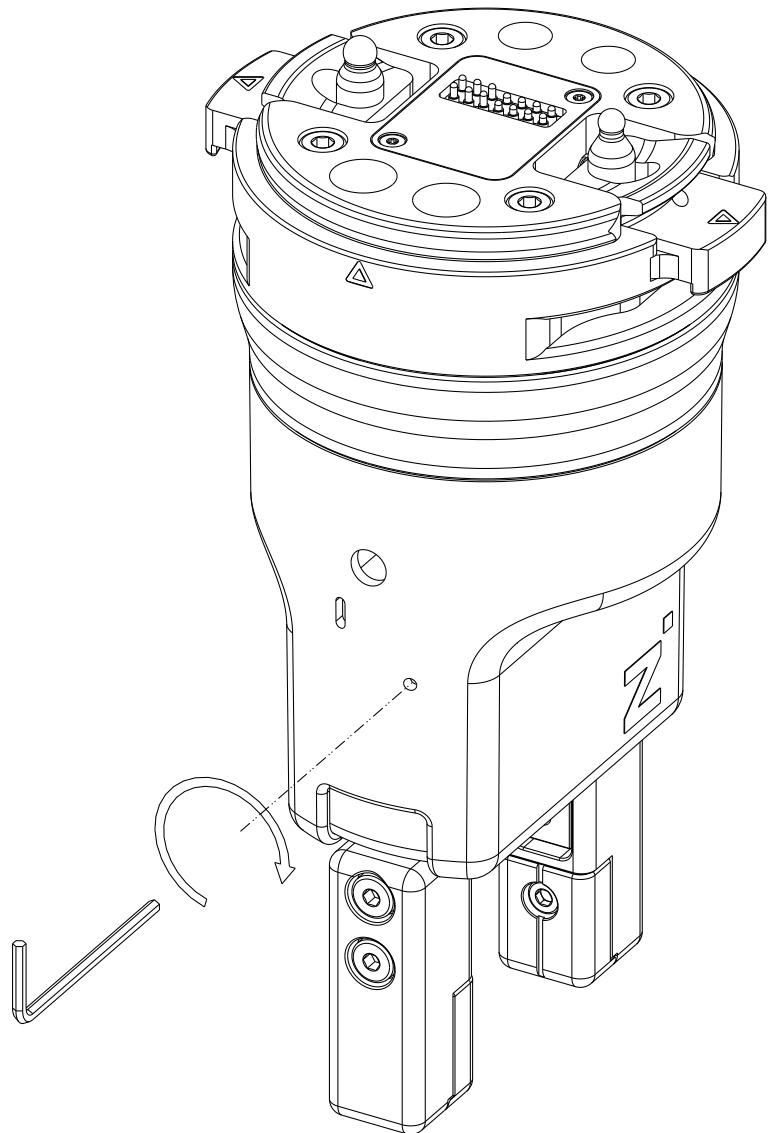
The gripper jaws can be opened using the emergency release if the energy supply drops off.

► Please contact Zimmer Customer Service if you have any questions.

12.1 Emergency release

The product features an emergency release that can be mechanically opened with an Allen key in the event of a power failure.

Design size	Wrench size [mm]
Serie LWR50L-03	1.5



13 Gripping force charts

INFORMATION



► You can find information on our website.

► Please contact Zimmer Customer Service if you have any questions.

14 Error diagnosis

Error code	Error	Possible cause	Measure
0x0000	Device is ready for operation.	-	-
0x0002	Position measuring system not referenced.	<ul style="list-style-type: none"> Product is in reference run. 	<ul style="list-style-type: none"> ▶ Please contact Zimmer Customer Service.
0x0003	Device is booted up.	<ul style="list-style-type: none"> The device is in the start sequence. 	<ul style="list-style-type: none"> ▶ Wait until the start sequence is complete.
0x0100	Actuator power supply is not present or is too low	<ul style="list-style-type: none"> Actuator power supply is not connected Actuator power supply is not sufficient Cable break 	<ul style="list-style-type: none"> ▶ Check the actuator power supply.
0x0101	Temperature above maximum permitted temperature.	<ul style="list-style-type: none"> Ambient temperature is too high. Overload of the products. 	<ul style="list-style-type: none"> ▶ Provide sufficient ventilation/cooling/connection. ▶ Check that the product moves freely.
0x0102	Temperature is below minimum permitted temperature.	<ul style="list-style-type: none"> Ambient temperature is too low. 	<ul style="list-style-type: none"> ▶ Provide an adequate operating temperature.
0x0103	Temperature of the power level is too high	<ul style="list-style-type: none"> Surrounding temperature is too high Overload of the product Internal defect 	<ul style="list-style-type: none"> ▶ Ensure improved cooling of the product. ▶ Check that the product moves freely. ▶ Select a suitable DeviceMode.
0x010B	Workpiece lost	<ul style="list-style-type: none"> Gripping force is not sufficient Workpiece was not gripped correctly Gripper finger geometry does not match the gripped workpiece Workpiece is too heavy 	<ul style="list-style-type: none"> ▶ Check the required gripping force. ▶ Check the gripper finger geometry. ▶ Reset the error by sending another move command back.
0x0300	ControlWord is not plausible.	<ul style="list-style-type: none"> Multiple bits were set in the ControlWord. 	<ul style="list-style-type: none"> ▶ In the ControlWord, check that only one bit is set.
0x0301	Positions are not plausible.	<ul style="list-style-type: none"> Transmitted positions are not plausible. 	<ul style="list-style-type: none"> ▶ Check the transmitted process data.
0x0302	GripForce is not plausible.	<ul style="list-style-type: none"> Transmitted GripForce is not plausible. 	<ul style="list-style-type: none"> ▶ Check the transmitted process data.
0x0303	DriveVelocity is not plausible.	<ul style="list-style-type: none"> Transmitted DriveVelocity is not plausible. 	<ul style="list-style-type: none"> ▶ Check the transmitted process data.
0x0304	PositionTolerance is not plausible.	<ul style="list-style-type: none"> Transmitted PositionTolerance is not plausible. 	<ul style="list-style-type: none"> ▶ Check the transmitted process data.
0x0306	DeviceMode is not plausible.	<ul style="list-style-type: none"> Transmitted DeviceMode is not plausible. 	<ul style="list-style-type: none"> ▶ Check the transmitted process data.
0x0307	Motion task cannot be executed (CRC error).	<ul style="list-style-type: none"> Multiple motion tasks in the same direction. Move command transmitted despite existing error. 	<ul style="list-style-type: none"> ▶ Reset the direction flag. <ul style="list-style-type: none"> • through move command in the opposite direction • through error reset • through reset direction flag ▶ Send the move command again.

Error code	Error	Possible cause	Measure
0x0308	WorkpieceNo cannot be selected.	<ul style="list-style-type: none"> Transmitted workpiece number is outside the permitted range. 	<ul style="list-style-type: none"> ▶ Check the transmitted process data.
0x0309	TeachPosition was changed.	<ul style="list-style-type: none"> Modified process data were not taken over. 	<ul style="list-style-type: none"> ▶ Apply the process data via a handshake.
0x030A	BasePosition was changed.	<ul style="list-style-type: none"> Modified process data were not taken over. 	<ul style="list-style-type: none"> ▶ Apply the process data via a handshake.
0x030B	ShiftPosition was changed.	<ul style="list-style-type: none"> Modified process data were not taken over. 	<ul style="list-style-type: none"> ▶ Apply the process data via a handshake.
0x030C	WorkPosition was changed.	<ul style="list-style-type: none"> Modified process data were not taken over. 	<ul style="list-style-type: none"> ▶ Apply the process data via a handshake.
0x030D	GripForce was changed.	<ul style="list-style-type: none"> Modified process data were not taken over. 	<ul style="list-style-type: none"> ▶ Apply the process data via a handshake.
0x030E	DriveVelocity was changed.	<ul style="list-style-type: none"> Modified process data were not taken over. 	<ul style="list-style-type: none"> ▶ Apply the process data via a handshake.
0x030F	TeachTolerance was changed.	<ul style="list-style-type: none"> Modified process data were not taken over. 	<ul style="list-style-type: none"> ▶ Apply the process data via a handshake.
0x0310	DeviceMode was changed.	<ul style="list-style-type: none"> Modified process data were not taken over. 	<ul style="list-style-type: none"> ▶ Apply the process data via a handshake.
0x0311	WorkpieceNo was changed.	<ul style="list-style-type: none"> Modified process data were not taken over. 	<ul style="list-style-type: none"> ▶ Apply the process data via a handshake.
0x0312	Initial state after gripper restart	<ul style="list-style-type: none"> Modified process data were not taken over. 	<ul style="list-style-type: none"> ▶ Apply the process data via a handshake.
0x0314	BasePosition ≥ WorkPosition	<ul style="list-style-type: none"> Transmitted BasePosition ≥ transmitted WorkPosition 	<ul style="list-style-type: none"> ▶ Check the transmitted process data.
0x0400	Difficulty of movement	<ul style="list-style-type: none"> Gripper jaws are blocked. Gripper jaws are difficult to move. 	<ul style="list-style-type: none"> ▶ Check that the product moves freely. ▶ Acknowledge the error.
0x040B	Internal error	<ul style="list-style-type: none"> Internal error 	<ul style="list-style-type: none"> ▶ Please contact Zimmer Customer Service.
0x0406	System error	<ul style="list-style-type: none"> Internal system error 	<ul style="list-style-type: none"> ▶ Please contact Zimmer Customer Service.
0x0411	No production parameters present on the product.	<ul style="list-style-type: none"> Internal error 	<ul style="list-style-type: none"> ▶ Please contact Zimmer Customer Service.

15 Maintenance

CAUTION



Material damage resulting from blowing out with compressed air

Blowing out the product with compressed air can cause malfunctions and pose a risk of accidents.

- ▶ Never purge the product with compressed air.

CAUTION



Material damage caused by liquid and solvent-based cleaners

Liquid and solvent-based cleaning agents can cause malfunctions and pose a risk of accidents.

- ▶ Do not clean the product with any cleaning agents that are liquid or contain solvents.

Maintenance-free operation of the tool changer (end effector with loose part) is guaranteed for up to **100,000 change cycles** (hot plug).

Maintenance-free operation of the gripper is guaranteed for up to **5 million cycles**.

The maintenance interval may be shortened under the following circumstances:

- Dirty environment
 - Improper use and use that does not comply with the power specifications.
 - Ambient temperature is too high.
 - ▶ Even though the product is maintenance-free as mentioned above, perform a regular visual inspection to check for any corrosion, damage or contamination.
 - ▶ Have maintenance work be performed by Zimmer Customer Service whenever possible.
- ⇒ Dismantling and reassembling the product without authorization may result in complications, as special installation equipment is required in some cases. Zimmer GmbH accepts no liability for any resulting malfunctions or damage.

16 Decommissioning/disposal

INFORMATION



When the product reaches the end of its operational phase, it can be completely disassembled and disposed of.

- ▶ Disconnect the product completely from the power supply.
- ▶ Dispose of the components properly according to the material groups.
- ▶ Comply with the locally applicable environmental and disposal regulations.

17 RoHS declaration

in terms of the EU Regulation 2011/65/EU

Name and address of the manufacturer:


Zimmer GmbH

- 📍 Im Salmenkopf
77866 Rheinau, Germany
- ☎ +49 7844 9138 0
- ✉ info@zimmer-group.com
- 🌐 www.zimmer-group.com

We hereby declare that the incomplete machine described below

- Product designation:** 2-jaw parallel gripper with IO-Link quick-change system
- Type designation:** Serie LWR50L-03

conforms to the requirements of the directive in its design and the version we put on the market.

Michael Hoch	Rheinau, Germany, 2021-04-01	
Authorized representative for the compilation of relevant technical documents	(Place and date of issuance)	Martin Zimmer (Legally binding signature) Managing Partner

18 REACH declaration

In terms of the EC Regulation 1907/2006


Name and address of the manufacturer:

Zimmer GmbH

- 📍 Im Salmenkopf
77866 Rheinau, Germany
- ☎ +49 7844 9138 0
- ✉ info@zimmer-group.com
- 🌐 www.zimmer-group.com

REACH stands for **R**egistration, **E**valuation, **A**uthorisation and **R**estriction of **C**hemicals.

A full declaration of REACH can be obtained from the manufacturer due to the duty to notify in accordance with Art. 33 of the REACH regulation (“Duty to communicate information on substances in articles”).

Michael Hoch	Rheinau, Germany, 2021-04-01	
Authorized representative for the compilation of relevant technical documents	(Place and date of issuance)	Martin Zimmer (Legally binding signature) Managing Partner

19 Declaration of Incorporation

In terms of the EU Machinery Directive 2006/42/EC (Annex II 1 B)

Name and address of the manufacturer:

Zimmer GmbH

📍 Im Salmenkopf
77866 Rheinau, Germany
☎ +49 7844 9138 0
✉ info@zimmer-group.com
🌐 www.zimmer-group.com

We hereby declare that the incomplete machine described below

Product designation: 2-jaw parallel gripper with IO-Link quick-change system
Type designation: Serie LWR50L-03

conform to the requirements of the Machinery Directive, 2006/42/EC, Article 2g, Annex VII.b – Annex II.b, in its design and the version we put on the market.

Basic health and safety requirements:

Nr.1.1.2, Nr.1.1.3, Nr.1.1.5, Nr.1.3.2, Nr.1.3.4, Nr.1.3.7, Nr.1.5.3, Nr.1.5.4, Nr.1.5.8, Nr.1.6.4, Nr.1.7.1, Nr.1.7.4

A full list of applied standards can be obtained from the manufacturer.

We also declare that the specific technical documents were produced in accordance with Annex VII Part B of this Directive. We undertake to provide the market supervisory bodies with electronic versions of special documents for the incomplete machine through our documentation department, should they have reason to request them.

The incomplete machine may only be commissioned if it has been ascertained, if applicable, that the machine or system in which the incomplete machine is to be installed satisfies the requirements of Directive 2006/42/EC on Machinery and an EC Declaration of Conformity has been drawn up in accordance with Annex II 1 A.

Kurt Ross

Authorized representative for the compilation of relevant technical documents

Rheinau, Germany, 2021-04-01

(Place and date of issuance)

Martin Zimmer
(Legally binding signature)
Managing Partner

20 Declaration of Conformity

As defined by the EC Directive 2014/30/EU on electromagnetic compatibility

Name and address of the manufacturer:

Zimmer GmbH

📍 Im Salmenkopf
77866 Rheinau, Germany
☎ +49 7844 9138 0
✉ info@zimmer-group.com
🌐 www.zimmer-group.com

We hereby declare that the products described below

Product designation: 2-jaw parallel gripper with IO-Link quick-change system
Type designation: Serie LWR50L-03

conform to the requirements of the Electromagnetic Compatibility Directive 2014/30/EU in its design and the version we put on the market.

The following harmonized standards have been used:

DIN EN ISO 12100:2011-03	Safety of machinery - General principles for design - Risk assessment and risk reduction
DIN EN 61000-6-3	EMC Generic standard, Emission standard for residential, commercial and light-industrial
DIN EN 61000-6-2	EMC Generic standard, Emission standard for industrial environments
DIN EN 61000-6-4	EMC Generic standard, Immunity for industrial environments

A full list of applied standards can be obtained from the manufacturer.

Kurt Ross
Authorized representative for the compilation of relevant technical documents

Rheinau, Germany, 2021-04-01
(Place and date of issuance)



Martin Zimmer
(Legally binding signature)
Managing Partner